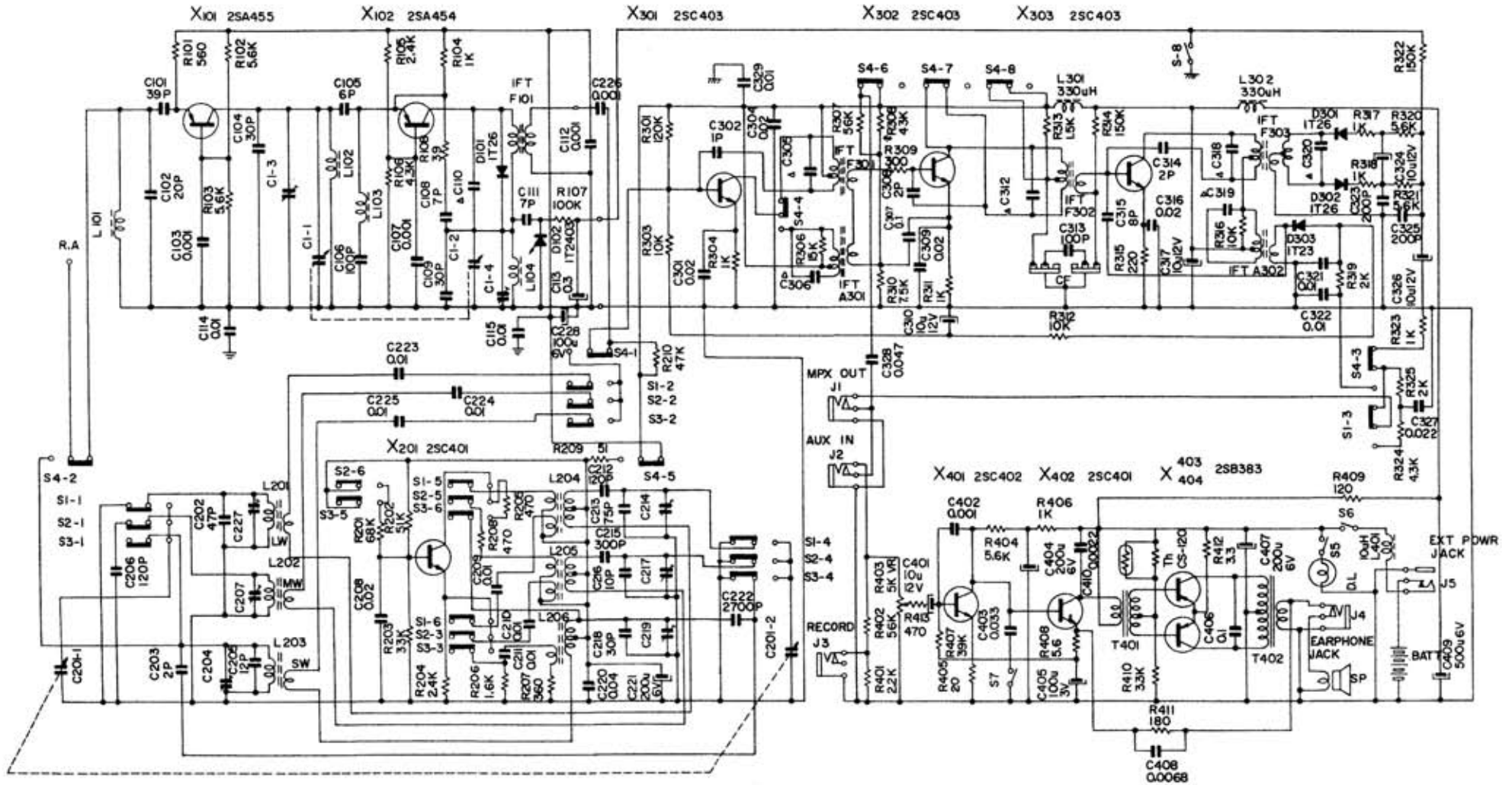


SONY 5F-94L



* To be Adjusted.

Capacitors marked with "Δ" are built in relative IF Transformers.

Service Guide