

SONY 6F-19WA

Q₁ 2SC629
(FM RF AMP)

Q₂ 2SC629
(FM CONV)

Q₃ 2SC403A
(FM IF AMP1)
(AM CONV)

Q₄ 2SC403A
(FM IF AMP2)
(AM IF AMP1)

Q₅ 2SC403A
(FM IF AMP3)
(AM IF AMP2)

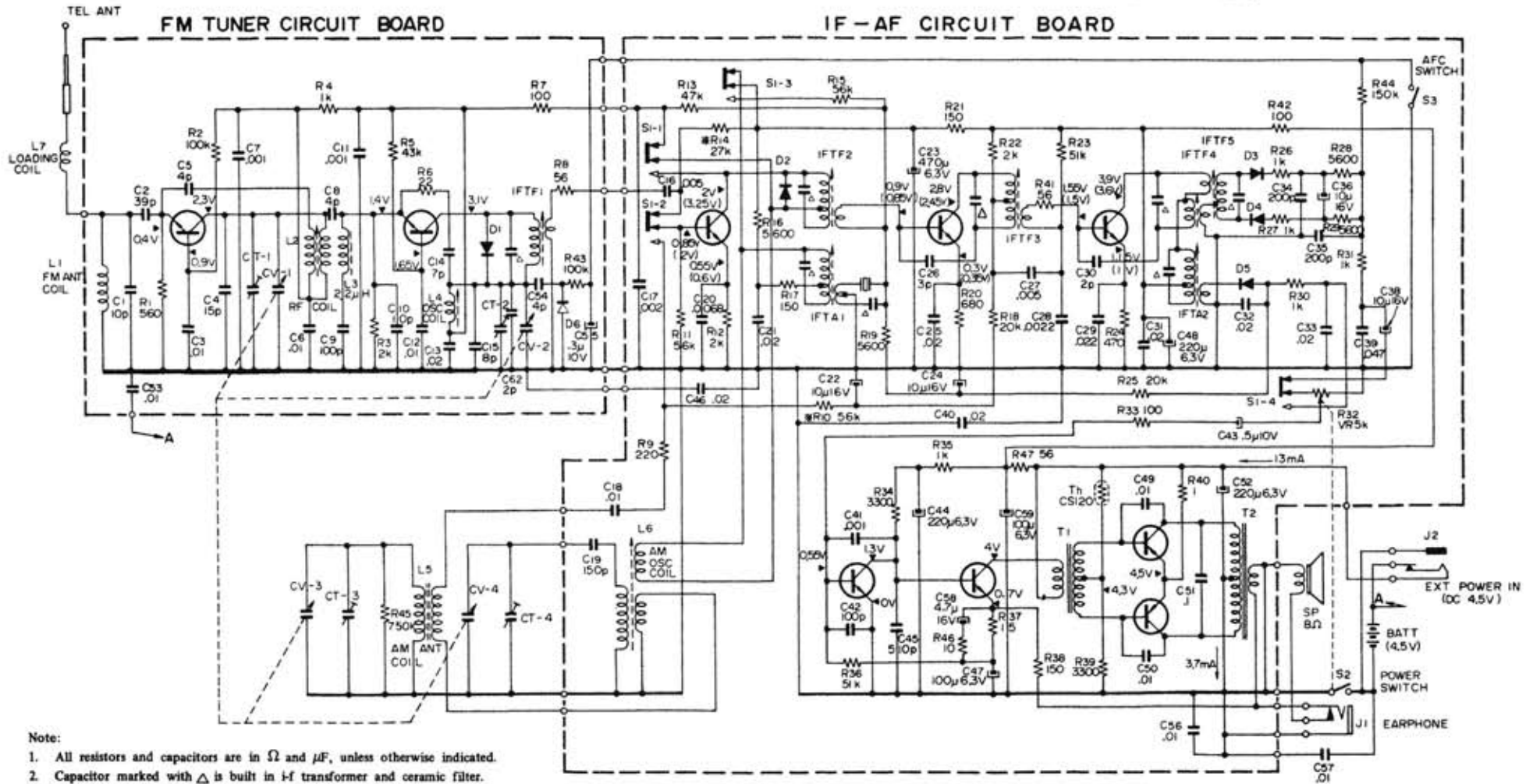
D₁ IT26
(LIMITER)

D₆ IT243
(AFC)

D₂ IT261

D₄ IT261
(FM RATIO DET)

D₅ IT23
(AM DET)



Note:

1. All resistors and capacitors are in Ω and μF , unless otherwise indicated.
2. Capacitor marked with Δ is built in I-F transformer and ceramic filter.
3. Resistor marked with * is to be selected in value.
4. Voltage value is measured to ground circuit with a dc voltmeter (20 k Ω/V) and current value is measured with a dc ammeter. Voltage and current values are taken with no radio signal received and the values shown in () are taken with band selector set to AM. Variations may be noted due to normal production tolerances.

Q₆ 2SC633
(AF AMP 1)

Q₇ 2SC633
(AF AMP 2)

Q₈ 2SB136
(POWER AMP)