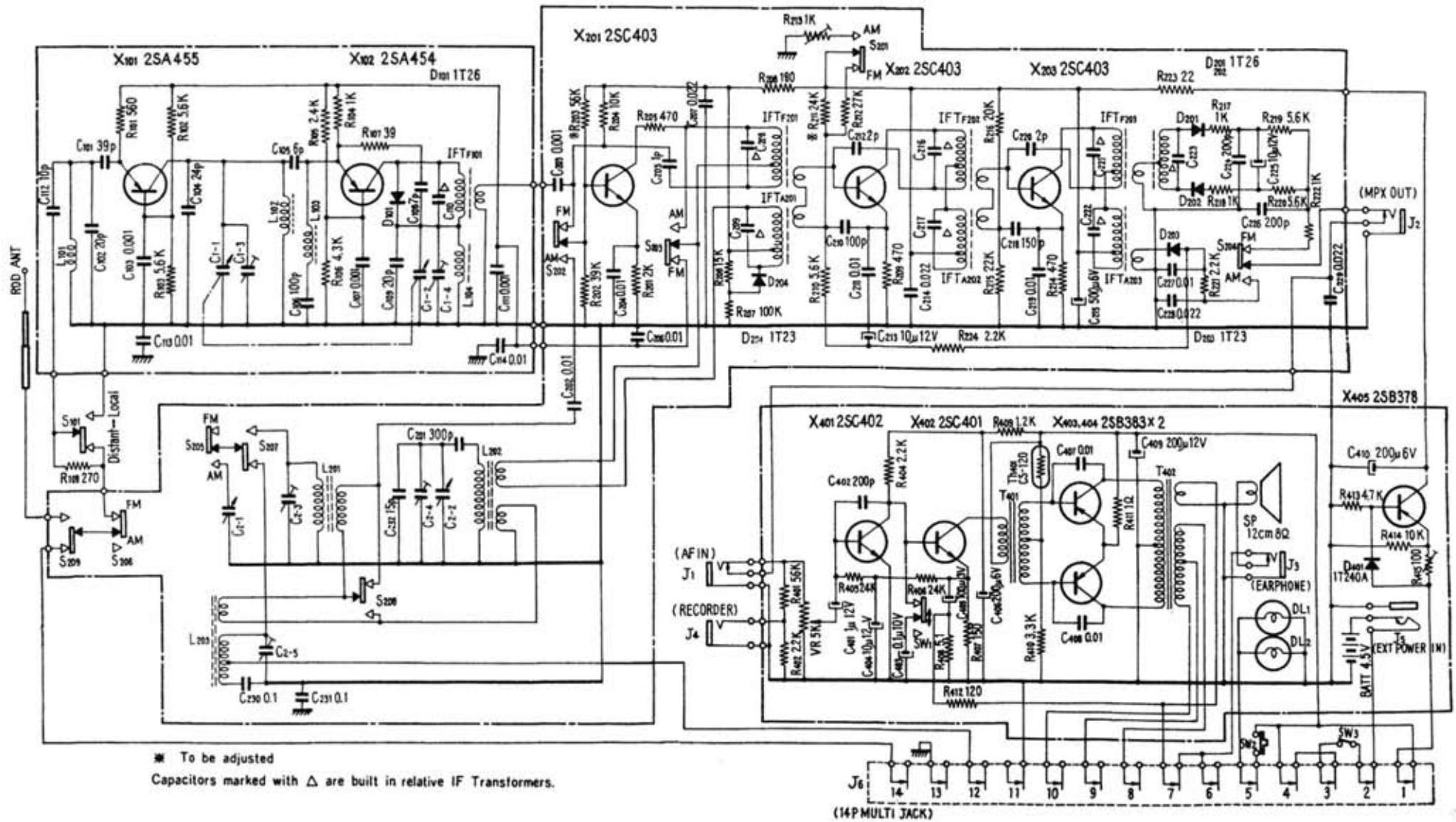


# SONY 7F-74W



\* To be adjusted  
Capacitors marked with Δ are built in relative IF Transformers.

(14P MULTI JACK)

## Service Guide