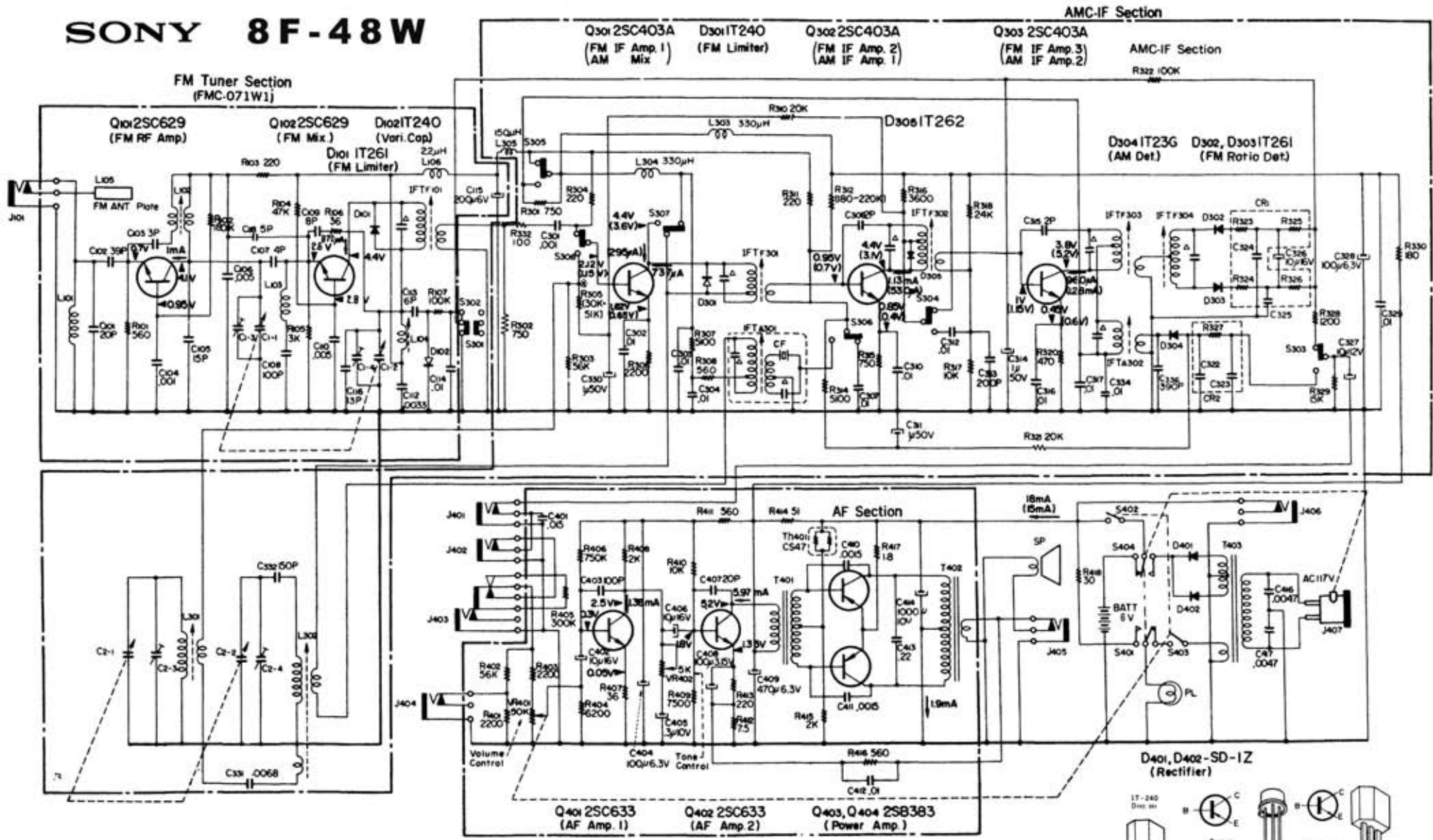


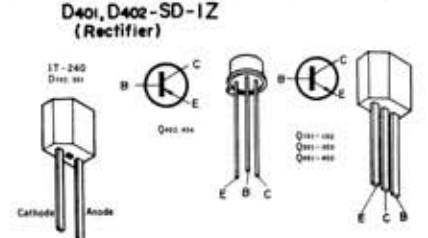
SONY 8F-48W



- S401 - 408 : Band Setting Switch
- S401, 403 : Pilot Lamp Switch
- S402 : Power Switch
- S404 : Ext. Power Switch
- Band Setting Switch shows FM side.
- PL : Pilot Lamp
- SP : Speaker

- J101 : FM Ext. ANT Jack
- J401 : MPX Out Jack
- J402 : AUX In Jack
- J403 : PHONO In Jack
- J404 : REC Out Jack
- J405 : EARPHONE Jack
- J406 : Jack for MPX Power Source
- J407 : Ext. Power Jack

- X : Resistor value to be selected.
- Δ : Built in IFT
- CR1, CR2 : Encapsulated Component
- () : Voltage and Current when Band Setting Switch is set to AM side.



Service Guide