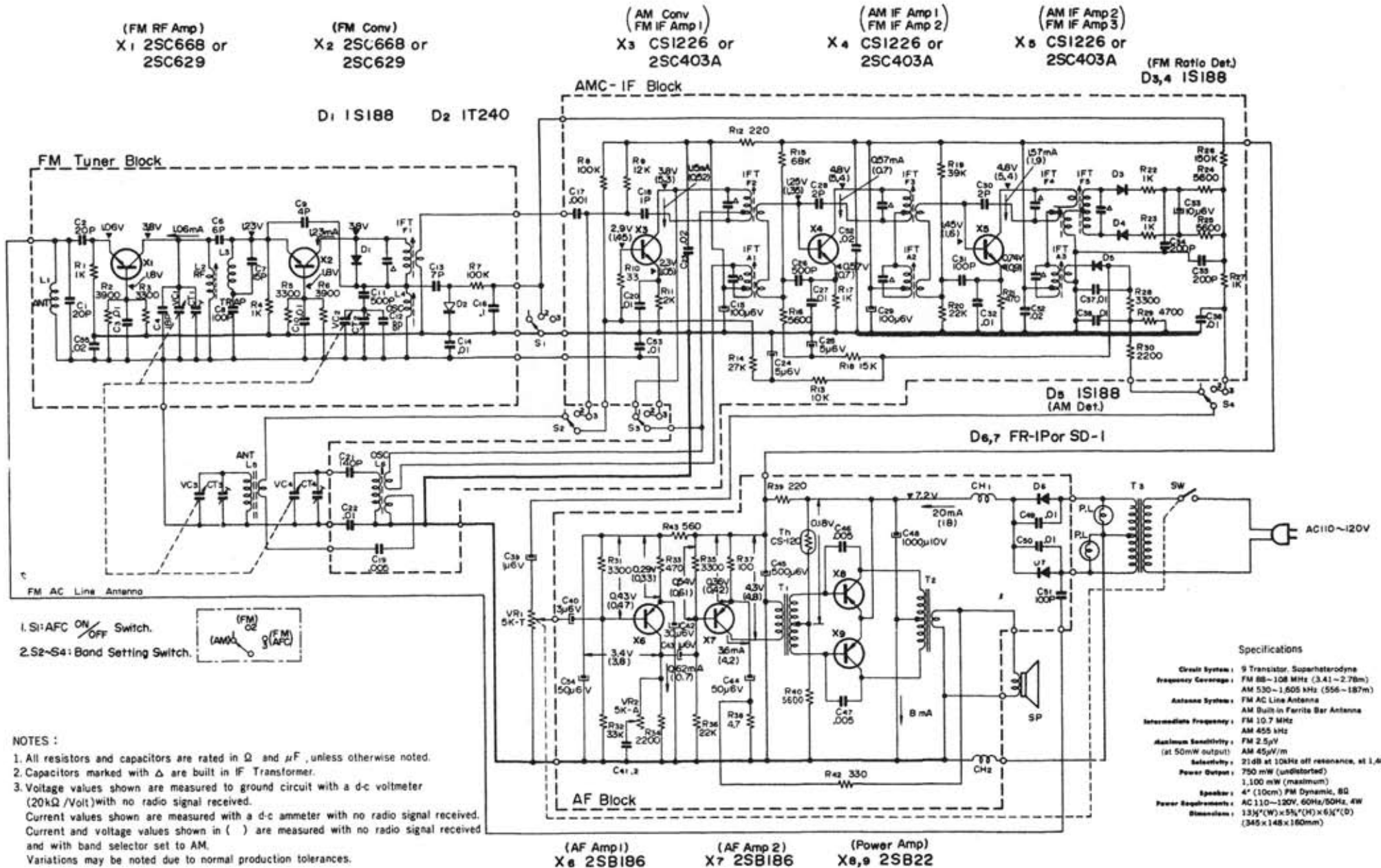


SONY 8F-56W



1. S₁: AFC ON/OFF Switch.

2. S₂-S₄: Band Setting Switch.

NOTES :

1. All resistors and capacitors are rated in Ω and µF, unless otherwise noted.
2. Capacitors marked with Δ are built in IF Transformer.
3. Voltage values shown are measured to ground circuit with a d-c voltmeter (20kΩ/Volt) with no radio signal received. Current values shown are measured with a d-c ammeter with no radio signal received. Current and voltage values shown in () are measured with no radio signal received and with band selector set to AM. Variations may be noted due to normal production tolerances.

Service Guide