

SONY 8FC-59W

X101 2SC629

X102 2SC629

X201 2SC403A

X202 2SC403A

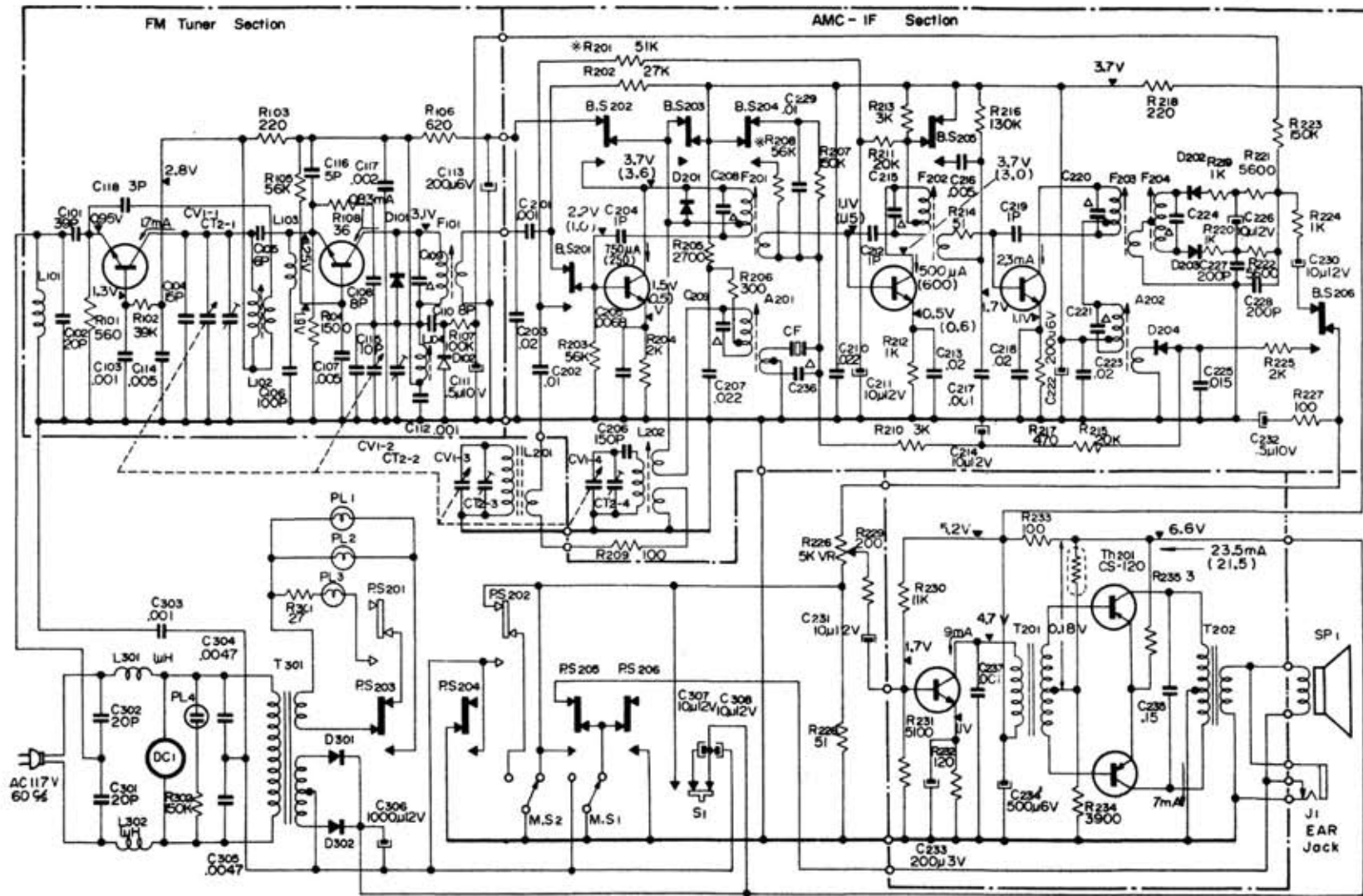
X203 2SC403A

D101 IT26 D102 IT240

D201 IT26

D204 IT23

D202,203 IT26



NOTE

1. Δ Built in IFT.
2. Values in the Parentheses are for AM.
3. *: Resistance Value to be selected.
4. BS201-206: Band Setting Switch.
5. FM Band Setting Switch shown is set to FM position.
6. P.S201-202: Automatic Switch.
7. P.S203-206: Manual Switch.
8. DC1: Digital Clock.
9. PL1,2,3: Pilot Lamp.
10. PL4: Neon Lamp.
11. S1: Buzzer/Radio Switch.
12. MS1: Micro Switch(ALARM).
13. MS2: Micro Switch(BUZZER).