

# SONY 1R-81

X<sub>1</sub> 2SC403

X<sub>2</sub> 2SC403

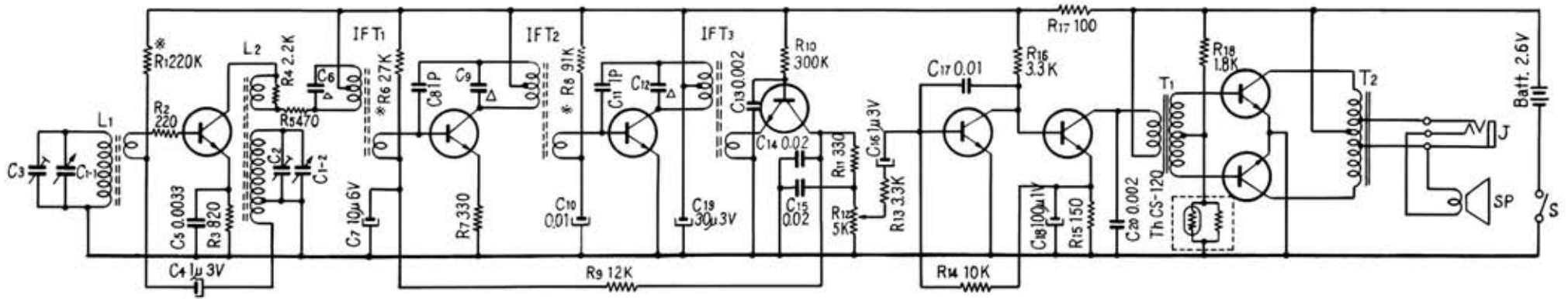
X<sub>3</sub> 2SC403

X<sub>4</sub> 2SC403

X<sub>5</sub> 2SC402

X<sub>6</sub> 2SC401

X<sub>7,8</sub> 2SD64



Voltage and Current Distribution Chart at Zero Signal

