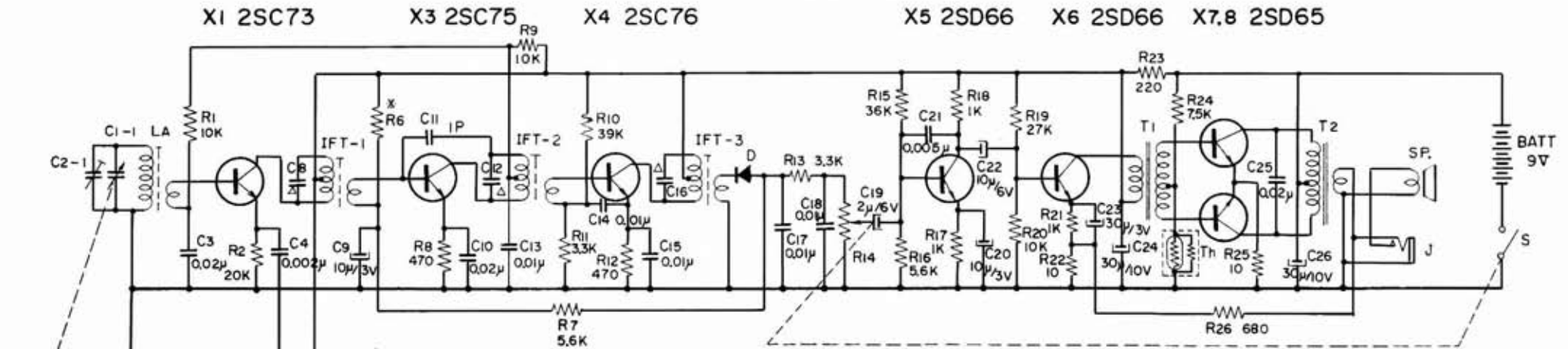
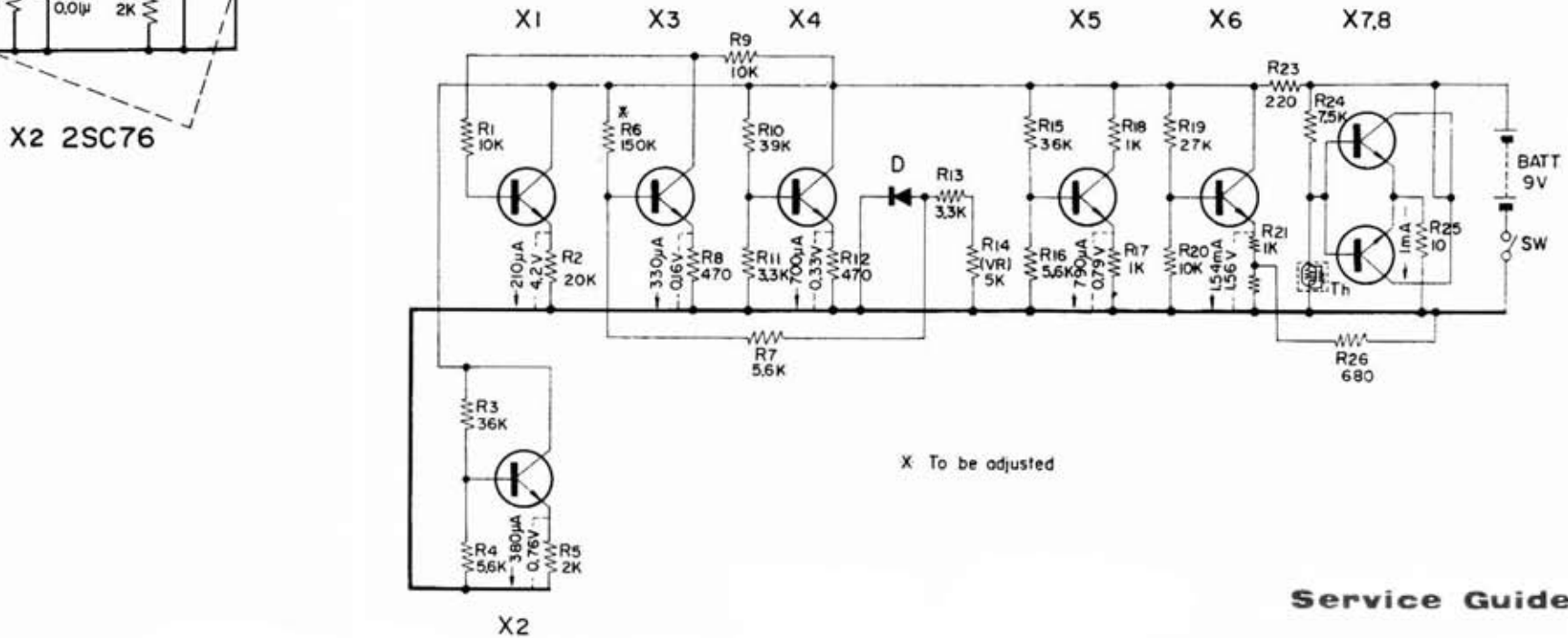


SONY 2R-21



* To be adjusted
 Capacitors marked with "Δ" are built in relative IF Transformers.

Voltage and Current Distribution Chart at Zero Signal



X To be adjusted