

Sony 2R-26

X₁ 2SC403

X₃ 2SC404

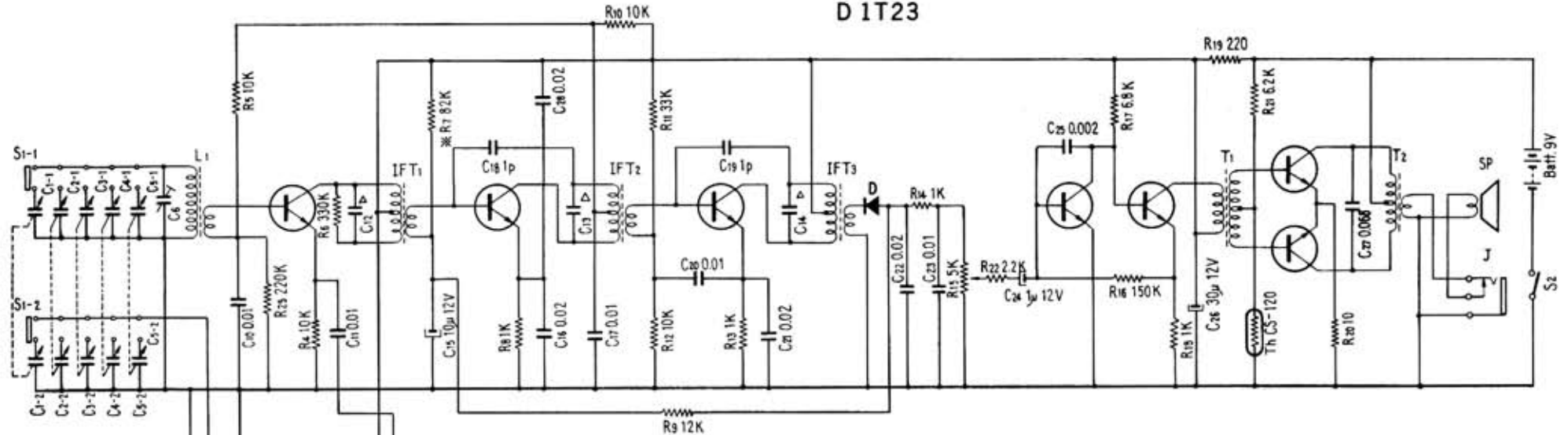
X₄ 2SC404

X₅ 2SC401

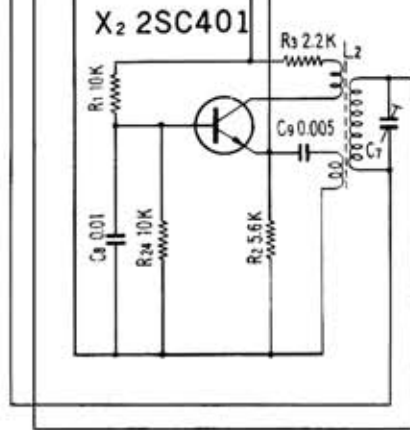
X₆ 2SC401

X_{7,8} 2SD64

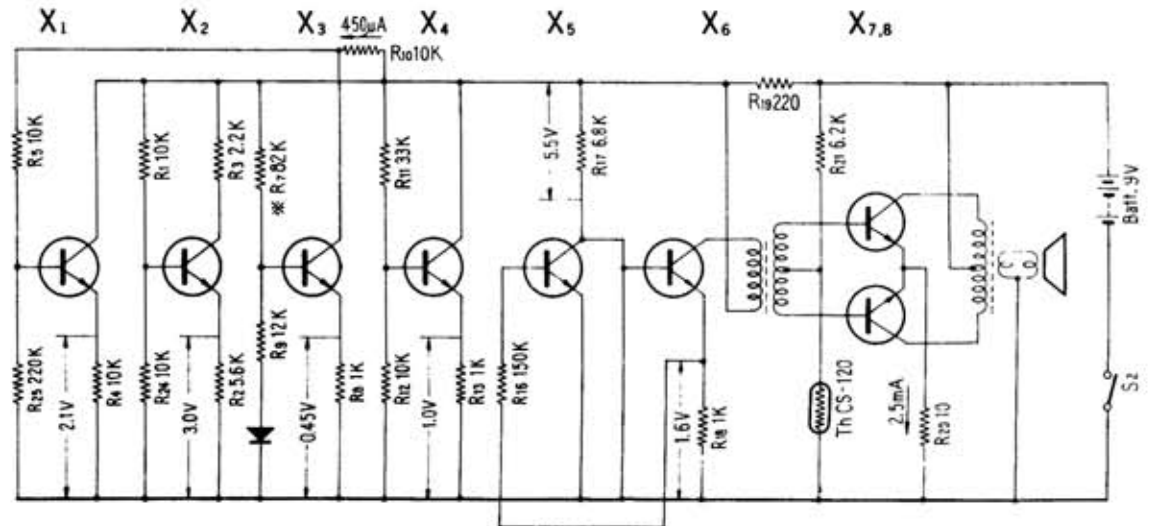
D 1T23



X₂ 2SC401



Voltage and Current Distribution Chart at Zero Signal



※ To be adjusted

Capacitors marked with Δ are built in relative IF Transformers.