

# SONY 6R-24

Q1 2SC537 or  
2SC403A

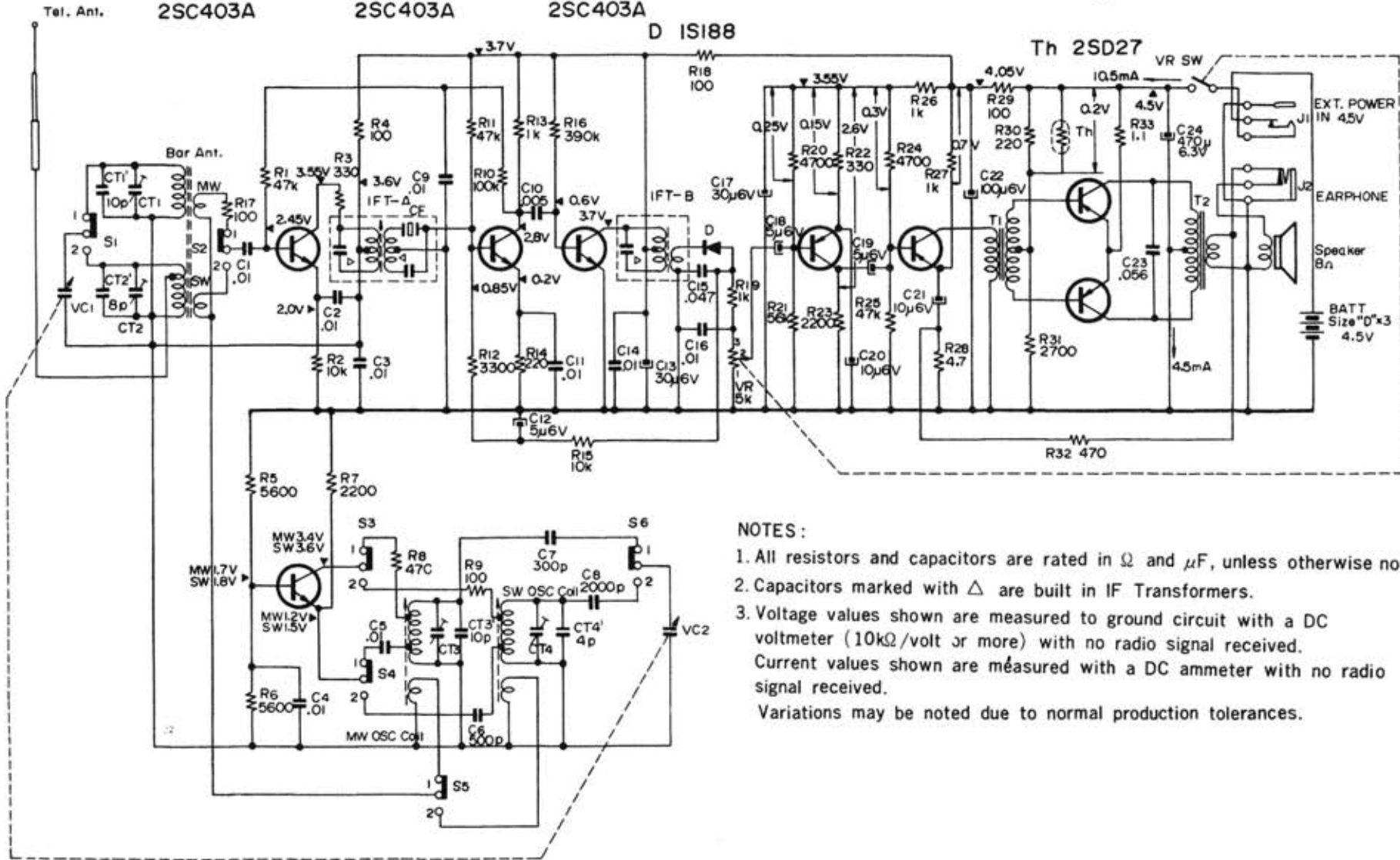
Q3 2SC537 or  
2SC403A

Q4 2SC537 or  
2SC403A

Q5 2SB186

Q6 2SB186

Q7,8 2SB187x2



Q2 2SC537 or  
2SC403A

## NOTES :

1. All resistors and capacitors are rated in  $\Omega$  and  $\mu F$ , unless otherwise noted.
2. Capacitors marked with  $\Delta$  are built in IF Transformers.
3. Voltage values shown are measured to ground circuit with a DC voltmeter (10k $\Omega$ /volt or more) with no radio signal received. Current values shown are measured with a DC ammeter with no radio signal received. Variations may be noted due to normal production tolerances.