

SONY 6R-33

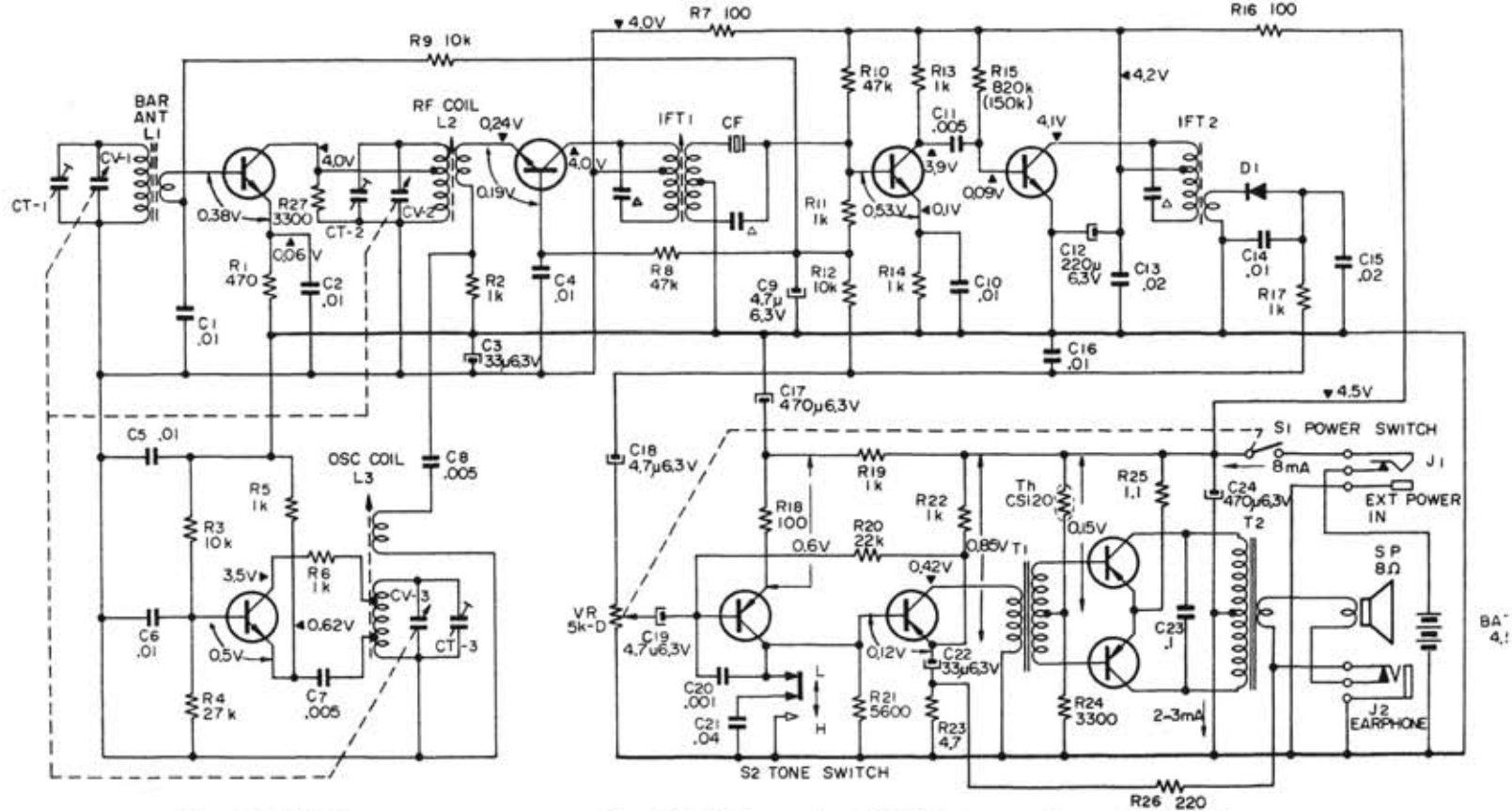
Q1 2SC537 or
2SC403A
(RF AMP)

Q2 2SC537 or
2SC403A
(MIX)

Q4 2SC537 or
2SC403A
(I-F AMP 1)

Q5 2SC537 or
2SC403A-2
(I-F AMP 2)

D1 1S188
(DET)



Q3 2SC537 or
2SC403A
(OSC)

Q6 2SB186
(AF AMP 1)

Q7 2SB186
(AF AMP 2)

Q8,9 2SB187
(POWER AMP)

NOTE:

1. All resistors and capacitors are in Ω and μF , unless otherwise indicated.
2. Capacitors marked with Δ are built in i-f transformers.
3. Voltage values shown are measured with a dc voltmeter (20 k Ω /volt) with no radio signal received. Variations may be noted due to normal production tolerances.
4. Current values shown are measured with a dc ammeter with no radio signal received.

5.	Transistor Q5	Resistor R15
	2SC537	820 k ohm
	2SC403A-2	150 k ohm

Service Guide