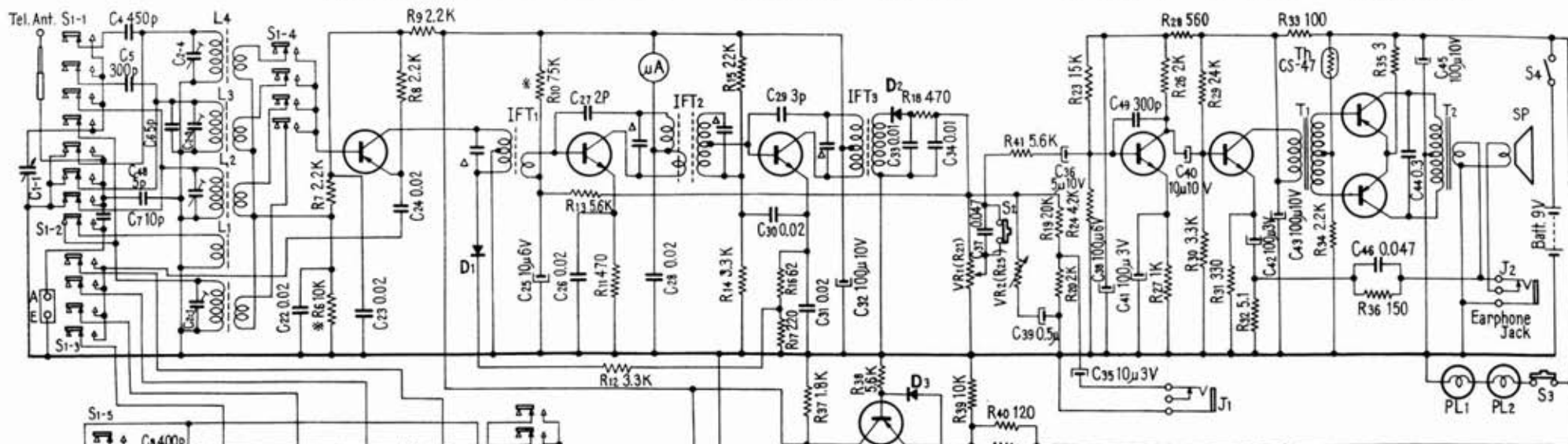


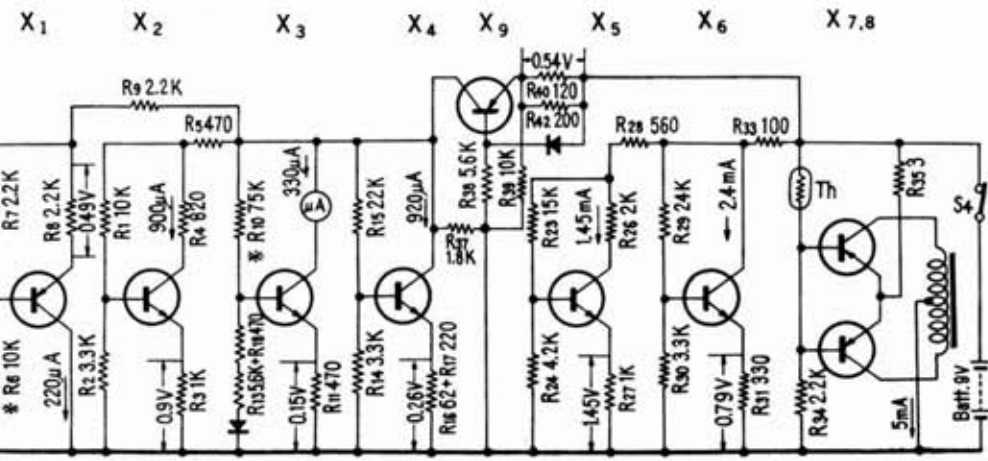
SONY 7R-72

X₁ 2SA70 D₁ 1T23 X₃ 2SC76 X₄ 2SC76 D₂ 1T23 X₅ 2SD64 X₆ 2SD65 X_{7,8} 2SB382



X₉ 2SB382 D₃ 1T23

Voltage and Current Distribution Chart at Zero Signal



* To be adjusted
 Capacitors marked with Δ are built in relative IF Transformers.