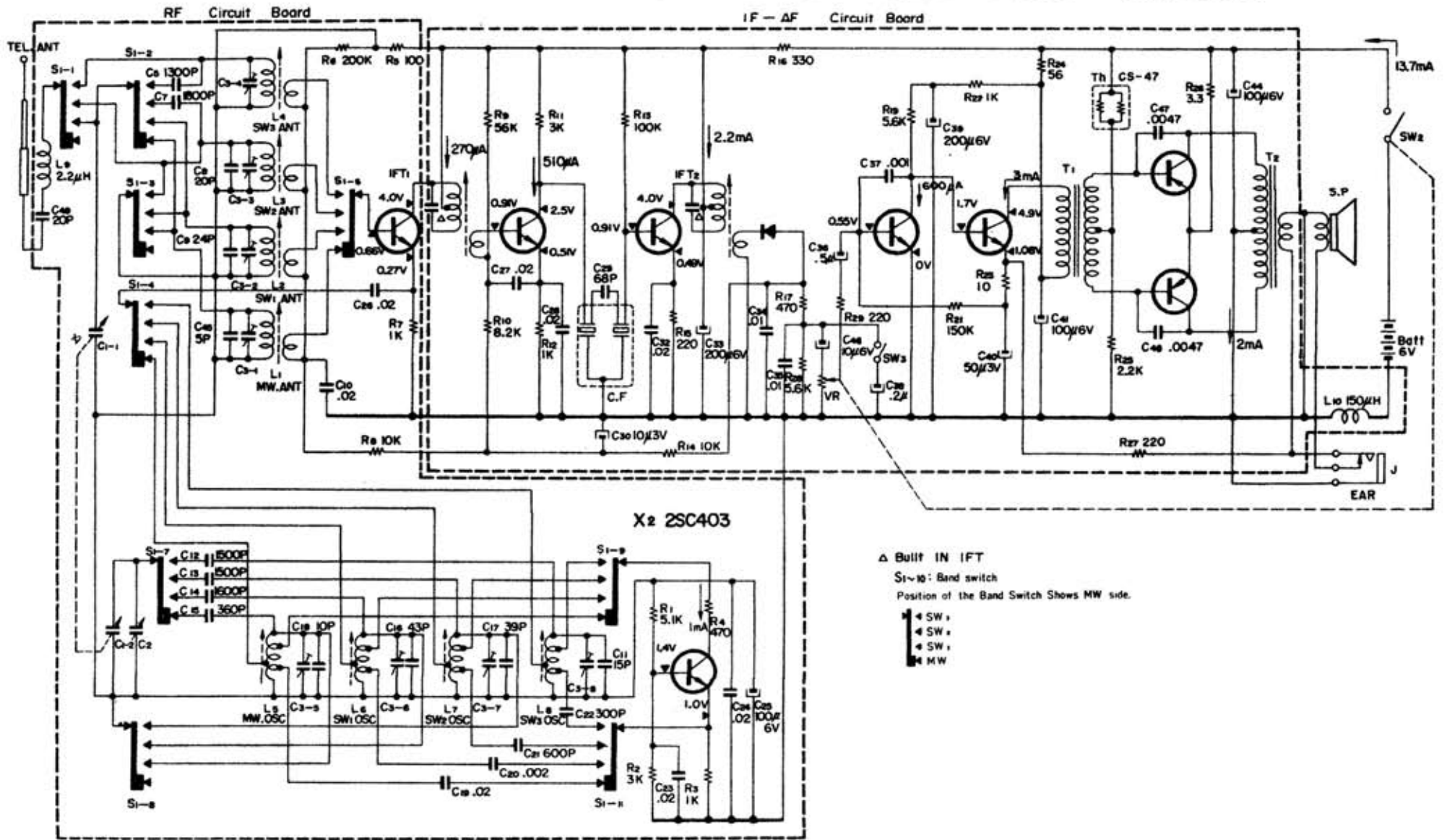


SONY 7R-80

X₁ 2SC403 X₃ 2SC403 X₄ 2SC403 D₁ IT-23 X₅ 2SC633 X₆ 2SC633 X_{7,a} 2SB383 X 2



RF Section

Service Guide

Δ Built IN IFT
 S₁₋₁₀: Band switch
 Position of the Band Switch Shows MW side.

◀ SW₁
 ◀ SW₂
 ◀ SW₃
 ◀ MW