

SONY 7R-83

Q₂ 2SC722E2
or 2SC403A
(OSC)

Q₁ 2SC722E1
or 2SC403A
(MIX)

Q₃ 2SC537F1
or 2SC402A
(IF AMP 1)

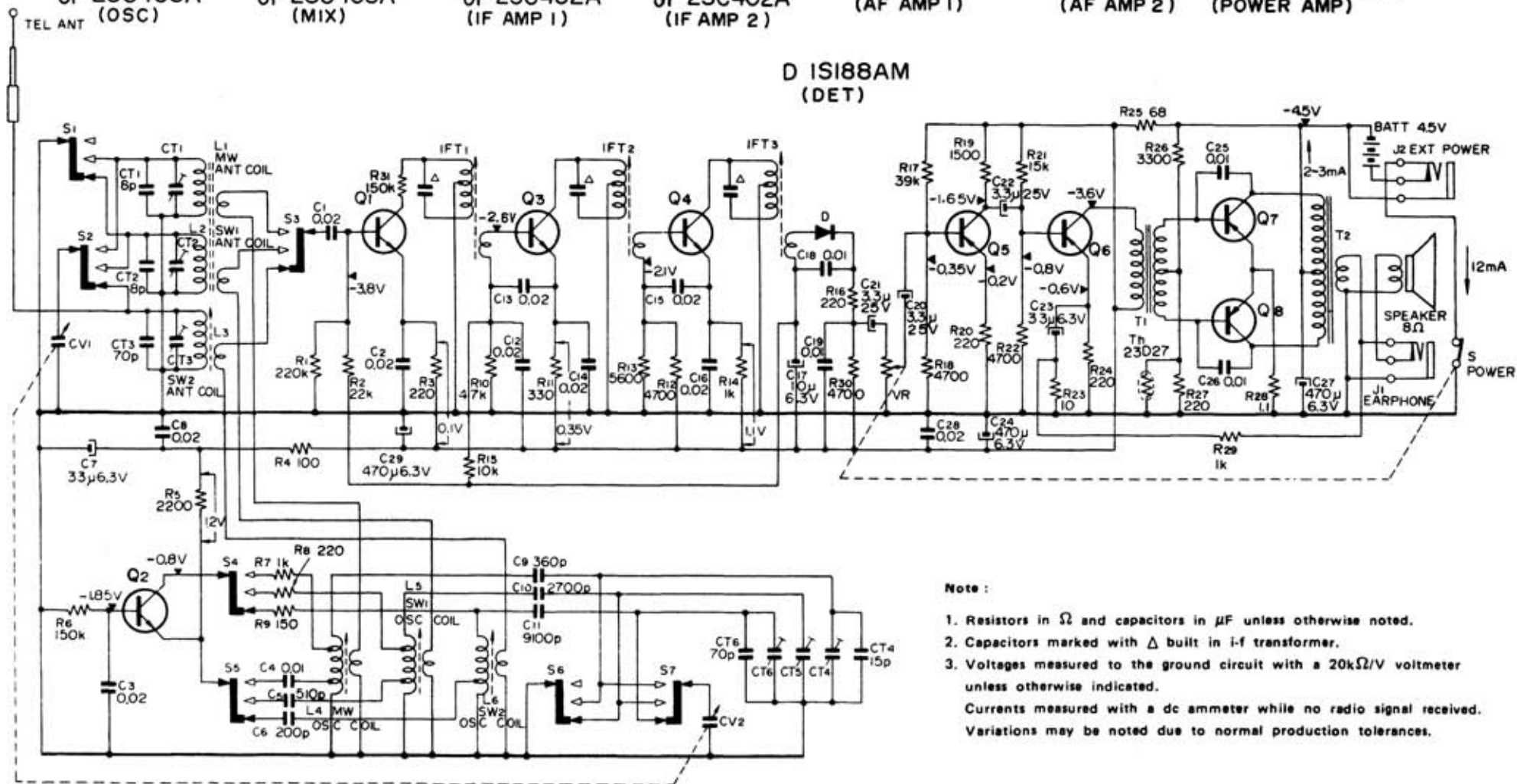
Q₄ 2SC537F2
or 2SC402A
(IF AMP 2)

Q₅ 2SB186A or B
(AF AMP 1)

Q₆ 2SB186A
(AF AMP 2)

Q_{7,8} 2SB187C or D
(POWER AMP)

D IS188AM
(DET)



Note :

1. Resistors in Ω and capacitors in μF unless otherwise noted.
2. Capacitors marked with Δ built in i-f transformer.
3. Voltages measured to the ground circuit with a $20\text{k}\Omega/\text{V}$ voltmeter unless otherwise indicated.

Currents measured with a dc ammeter while no radio signal received. Variations may be noted due to normal production tolerances.