

# SONY 8R-24

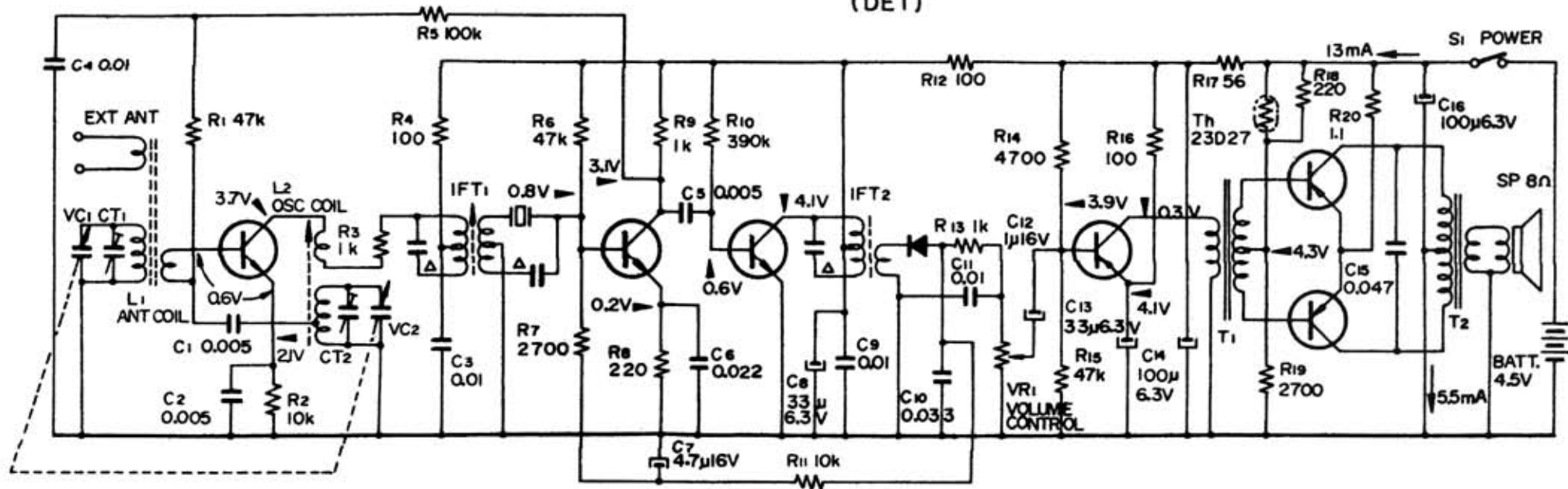
Q1 2SC537D2  
or 2SC403A4  
(CONV)

Q2 2SC537D2 or 2SC403A4  
(IF AMP1)    Q3 2SC537E1 or 2SC403A5  
(IF AMP2)

Q4 2SB186  
(AF AMP)

Q5,6 2SB187  
(AF POWER)

D1 1S188 AM  
(DET)



## Notes:

1. All resistors and capacitors are in  $\Omega$  and  $\mu F$ , unless otherwise indicated.
2. Capacitors marked  $\Delta$  are built-in i-f transformers.

3. Voltage values are measured to ground circuit with a dc voltmeter ( $20\text{ k}\Omega/V$ ) and current values are measured with a dc ammeter, while no radio signal is received.
4. Variations may be noted due to normal production tolerances.