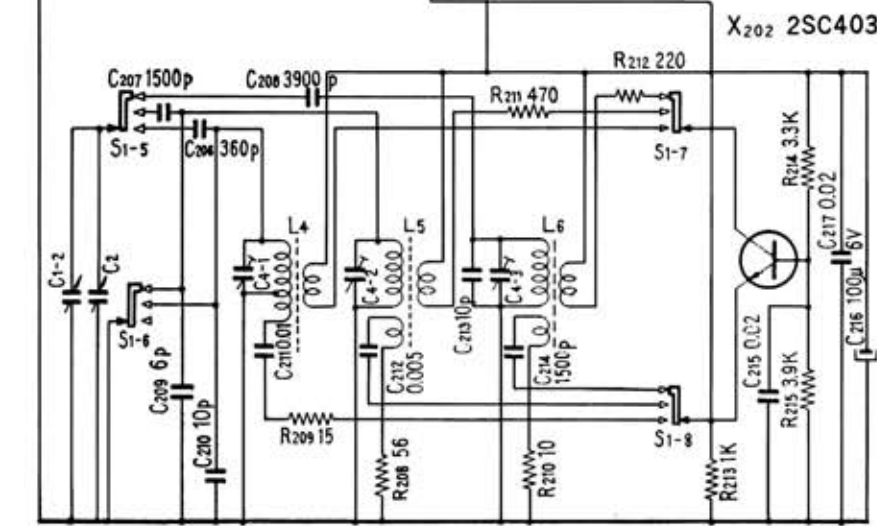
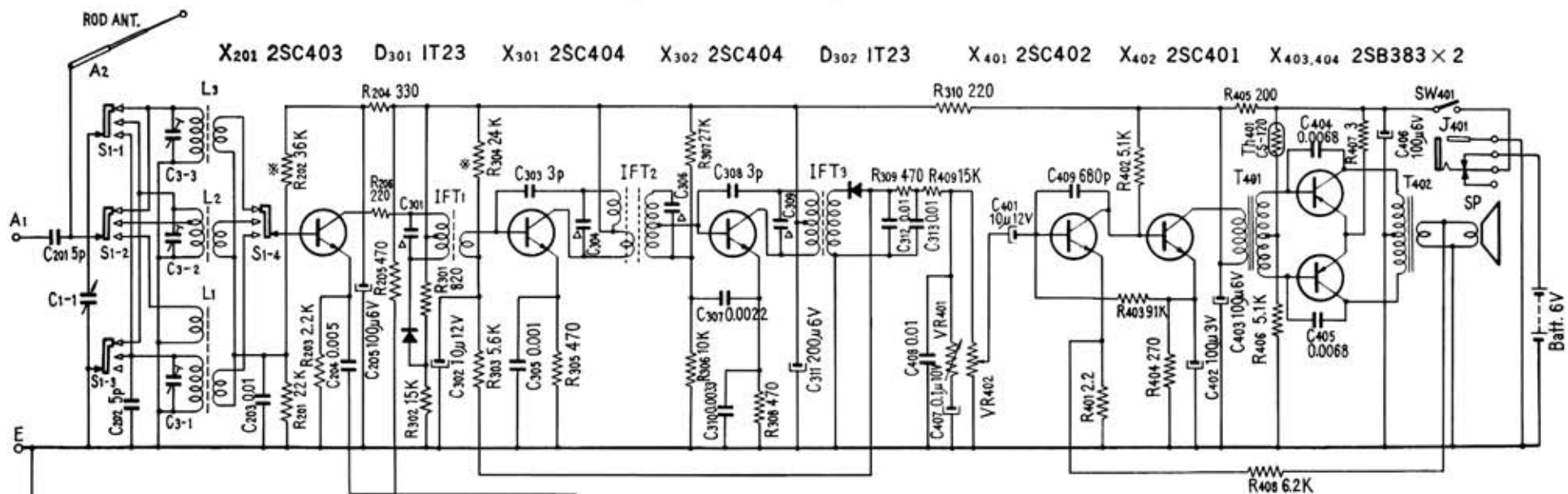


# SONY MODEL 8R-33



Voltage and Current Distribution Chart at Zero Signal

