

# SONY 8RC-25

Q<sub>1</sub> 2SC710  
(CONV)

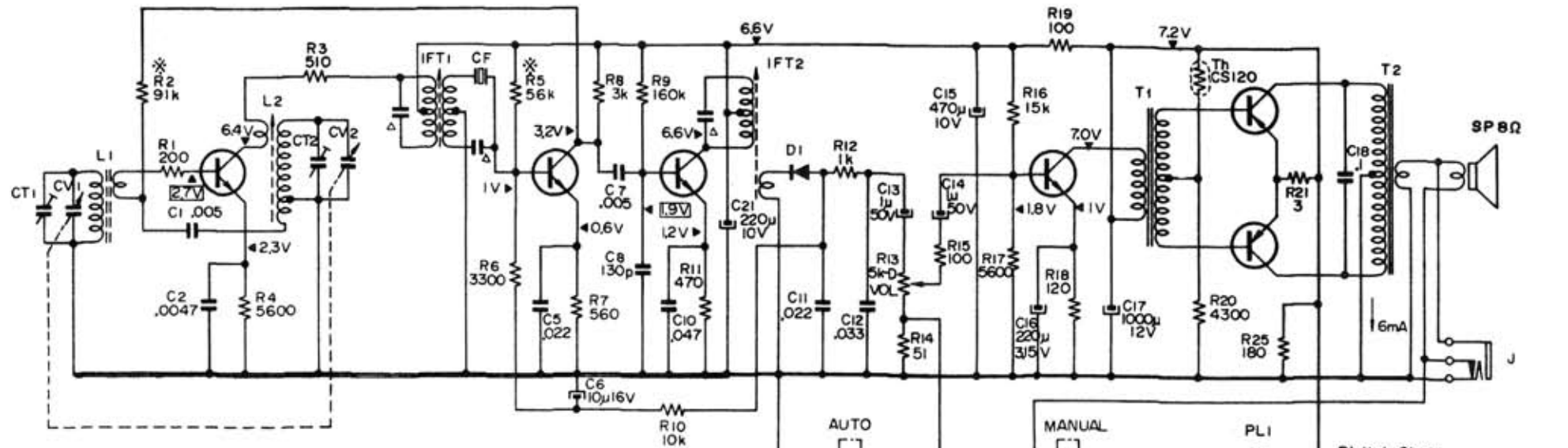
Q<sub>2</sub> 2SC710  
(IF AMP<sub>1</sub>)

Q<sub>3</sub> 2SC710  
(IF AMP<sub>2</sub>)

D<sub>1</sub> 1T23  
(DET)

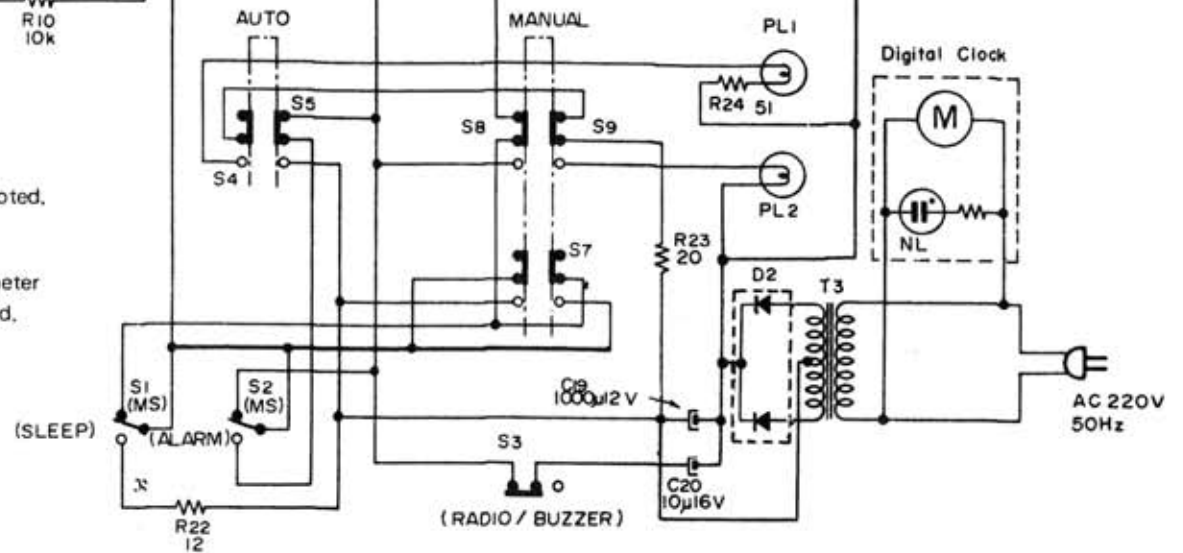
Q<sub>4</sub> 2SC870  
(AF AMP)

Q<sub>5,6</sub> 2SB22  
(POWER AMP)



## NOTES:

1. All resistors and capacitors are rated in  $\Omega$  and  $\mu\text{F}$ , unless otherwise noted.
2. Capacitors marked with  $\Delta$  are built in i-f transformers.
3. Resistors marked with  $\ast$  are to be selected in value.
4. Voltage values shown are measured to ground circuit with a dc voltmeter (20 k $\Omega$ /volt) or VTVM (enclosed in  $\square$ ) with no radio signal received. Variations may be noted due to normal production tolerances.



D<sub>2</sub> CD2  
(POWER RECTIFIER)

## Service Guide