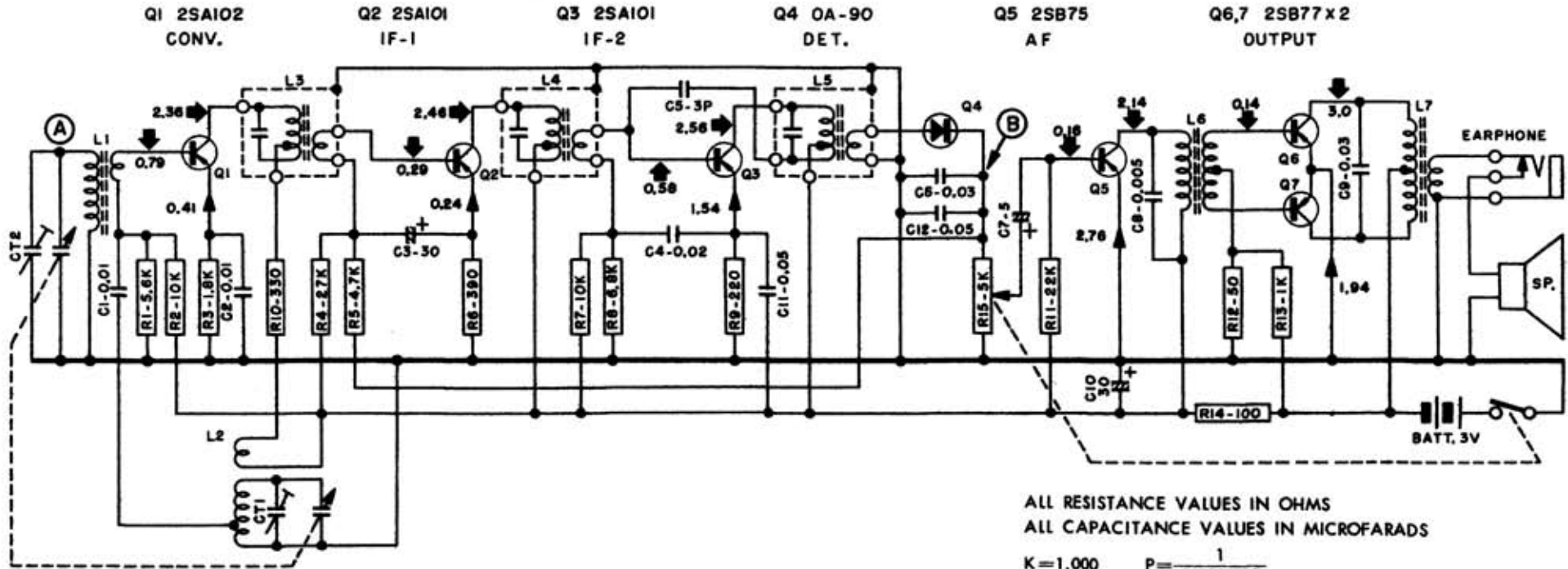


STANDARD SR-F402



ALL RESISTANCE VALUES IN OHMS
 ALL CAPACITANCE VALUES IN MICROFARADS

$$K=1,000 \quad P=\frac{1}{1,000,000}$$

- (1) BATTERY: 3V, EVEREADY 915X2 or EQUIVALENT
- (2) VOLTAGE MEASURED FROM "COMMON POSITIVE" WIRING AT NO SIGNAL

↓: VOLTAGE (VOLTS) ↑: CURRENT (MILLIAMPERES)



STANDARD SERVICE DATA