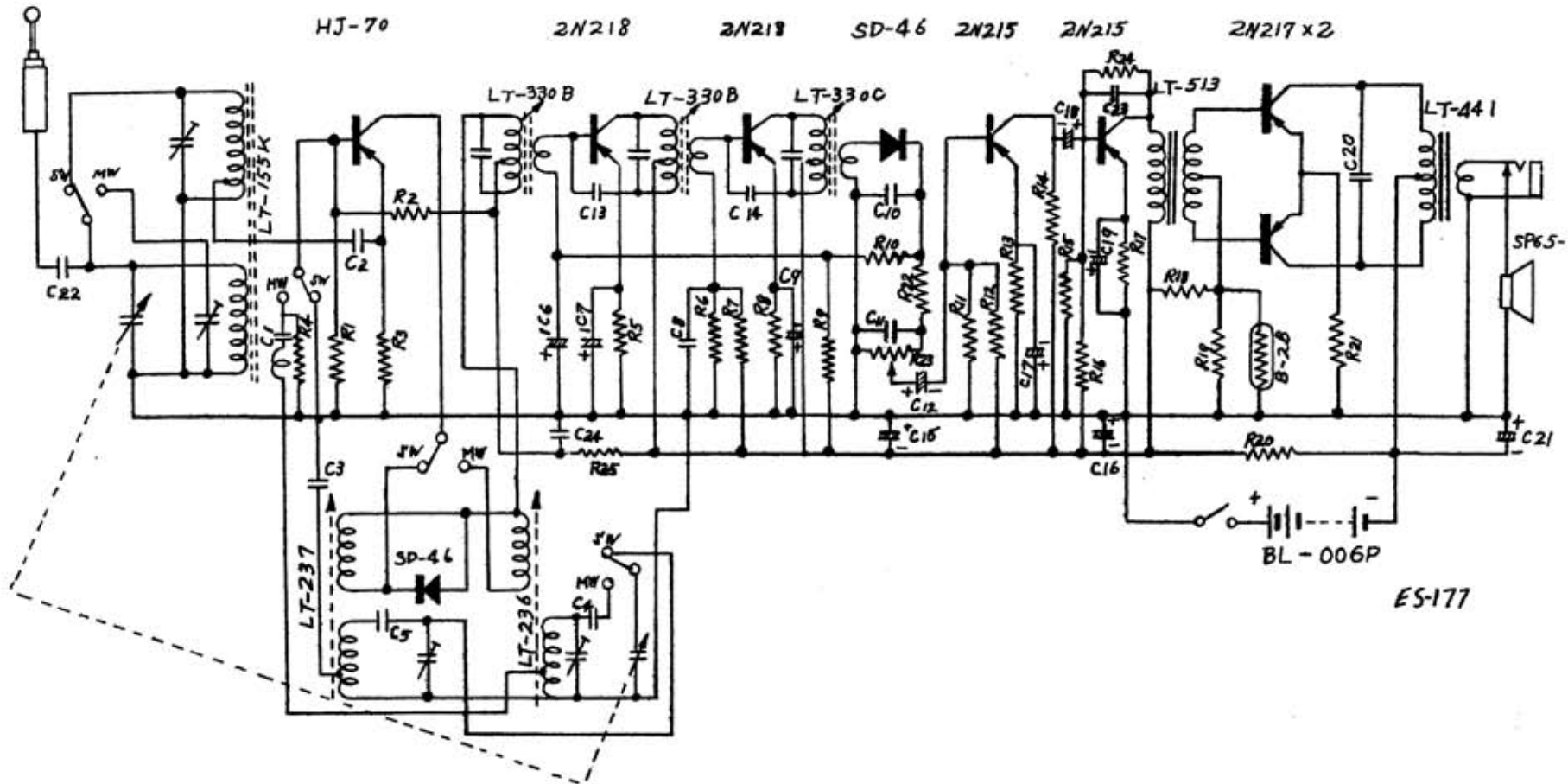


STANDARD SR-G200



R1	10K	R8	560	R15	5.6K	R22	1K	C4	300PF	C11	.01	C18	5uF. 6v
R2	33K	R9	56K	R16	33K	R23	5K	C5	2000PF	C12	5uF. 6v	C19	30uF. 3v
R3	2.2K	R10	6.8K	R17	1K	R24	220K	C6	5uF. 6v	C13	10PF	C20	.02
R4	6.8K	R11	4.7K	R18	10K	R25	27	C7	5uF. 6v	C14	5PF	C21	20uF. 10v
R5	2.2K	R12	56K	R19	390	C1	.01	C8	.04	C15	20uF. 10v	C22	10PF
R6	10K	R13	1.2K	R20	270	C2	.01	C9	.005	C16	20uF. 10v	C23	500PF
R7	5.6K	R14	2.2K	R21	10	C3	.01	C10	.01	C17	30uF. 3v	C24	.04



STANDARD SERVICE DATA

