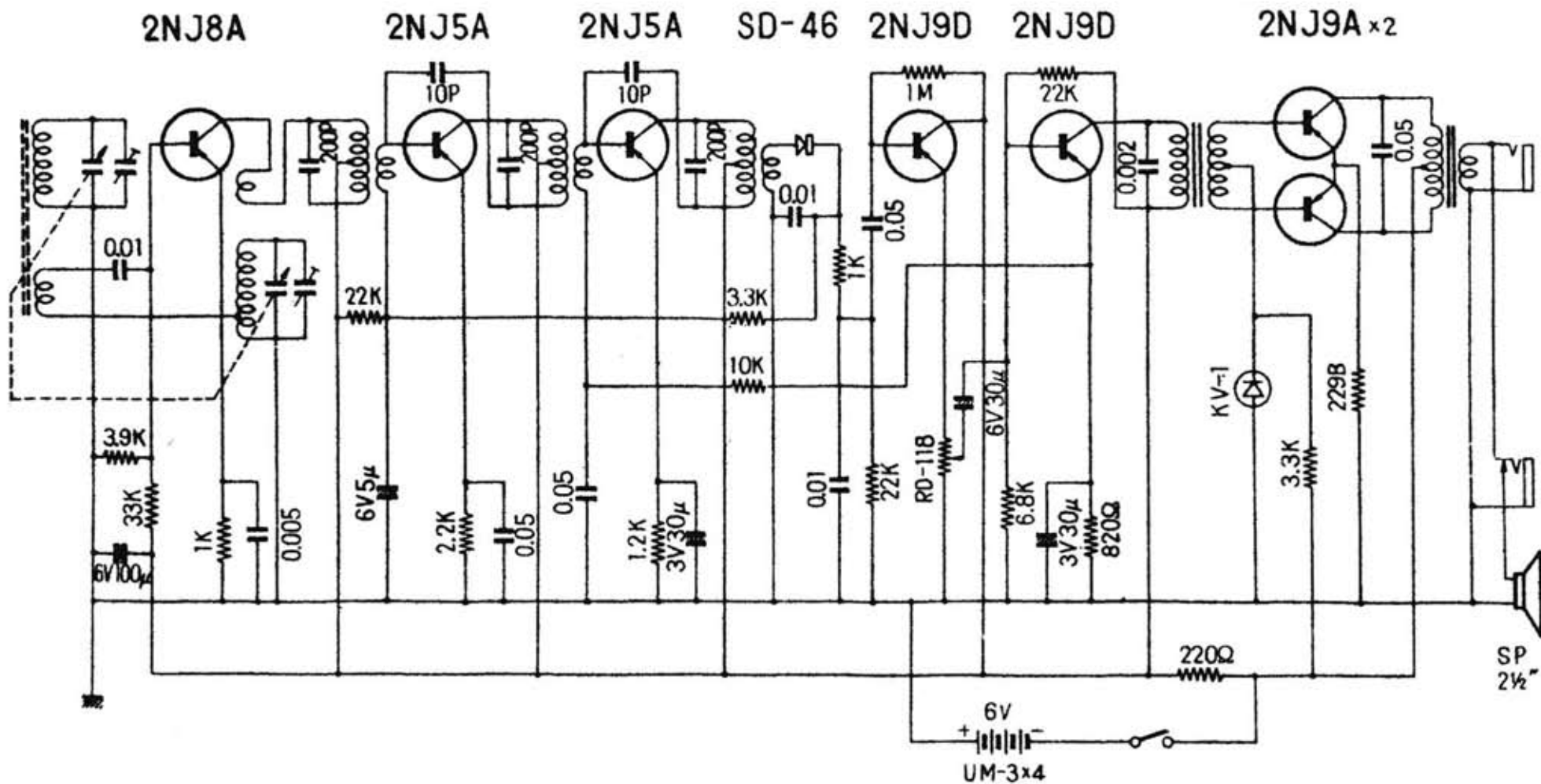


STANDARD SR-G204



STANDARD SERVICE DATA