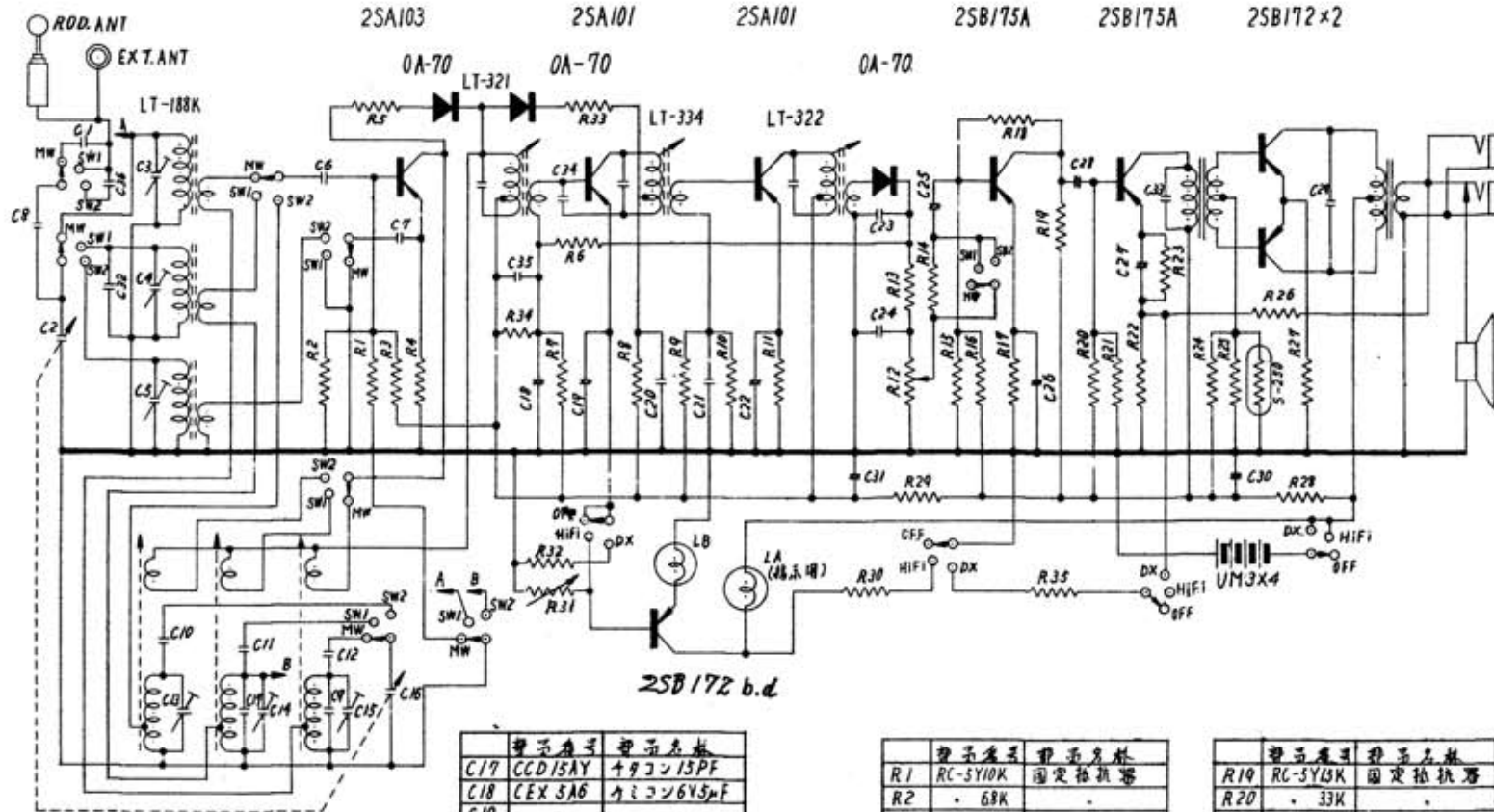


STANDARD MODEL SR-H115

S58.



部品番号	部品名称
C1	CCD3AF 49303PF
C2	CD-159 49303PF
C3	" 49303PF
C4	" 49303PF
C5	" 49303PF
C6	CKD.005P 491K73000PRYL
C7	" 49303PF
C8	CCD20AY 49303PF
C9	CCD 5AF 3PF
C10	CFX.002AW 243000PF
C11	CFX.001BW 1000PF
C12	CFX.300AW 300PF
C13	CD-142 ニセトワニコンデンサ
C14	" " "
C15	CD-159 ホリワニコンデンサ
C16	" " "

部品番号	部品名称
C17	CCD15AY 49303PF
C18	CEX 5A6 49303PF
C19	" " "
C20	CKD.02A 491K7002PF
C21	CKD.05A 0.05PF
C22	CEX 5A6 49303PF
C23	CKD.01A 491K7001PF
C24	" " "
C25	CEX 5A6 49303PF
C26	CEX 30A3 3V30PF
C27	" " "
C28	CEX 5A6 49303PF
C29	CKD.05A 491K7005PF
C30	CEX100A6 49303PF
C31	CEX 30A6 6V30PF
C32	CCD 5AF 49303PF
C33	CKD.005P 491K7005PF
C34	CCD 2AD 49303PF
C35	CKD.05A 491K7005PF
C36	CCD 20AY 49303PF

部品番号	部品名称
R1	RC-5Y10K 固定抵抗器
R2	" 68K "
R3	" 47K "
R4	" 1K "
R5	" 390 "
R6	" 10K "
R7	" 82K "
R8	" 22K "
R9	" 33K "
R10	" 68K "
R11	" 820 "
R12	RD-148K 可変抵抗器
R13	RC-5Y1K 固定抵抗器
R14	" 15K "
R15	" 39K "
R16	" 56K "
R17	" 1K "
R18	" 100K "

部品番号	部品名称
R19	RC-5Y15K 固定抵抗器
R20	" 33K "
R21	" 10K "
R22	" 100 "
R23	" 1K "
R24	" 33K "
R25	" 220 "
R26	" 39K "
R27	RD-224B 特殊抵抗器
R28	RC-5Y100 固定抵抗器
R29	" " "
R30	RC-5Y820 " "
R31	RD-A80 特殊抵抗器
R32	RC-5Y12K 固定抵抗器
R33	" 22K "
R34	" 220K "
R35	" 10 "



STANDARD SERVICE DATA