

STANDARD SR-H425

Q1 2SA101
CONV.

Q2 2SA101
1F-1ST

Q3 2SA101
1F-2ND

Q4 0A-90
DET.

Q5 2SB175
AF-1ST

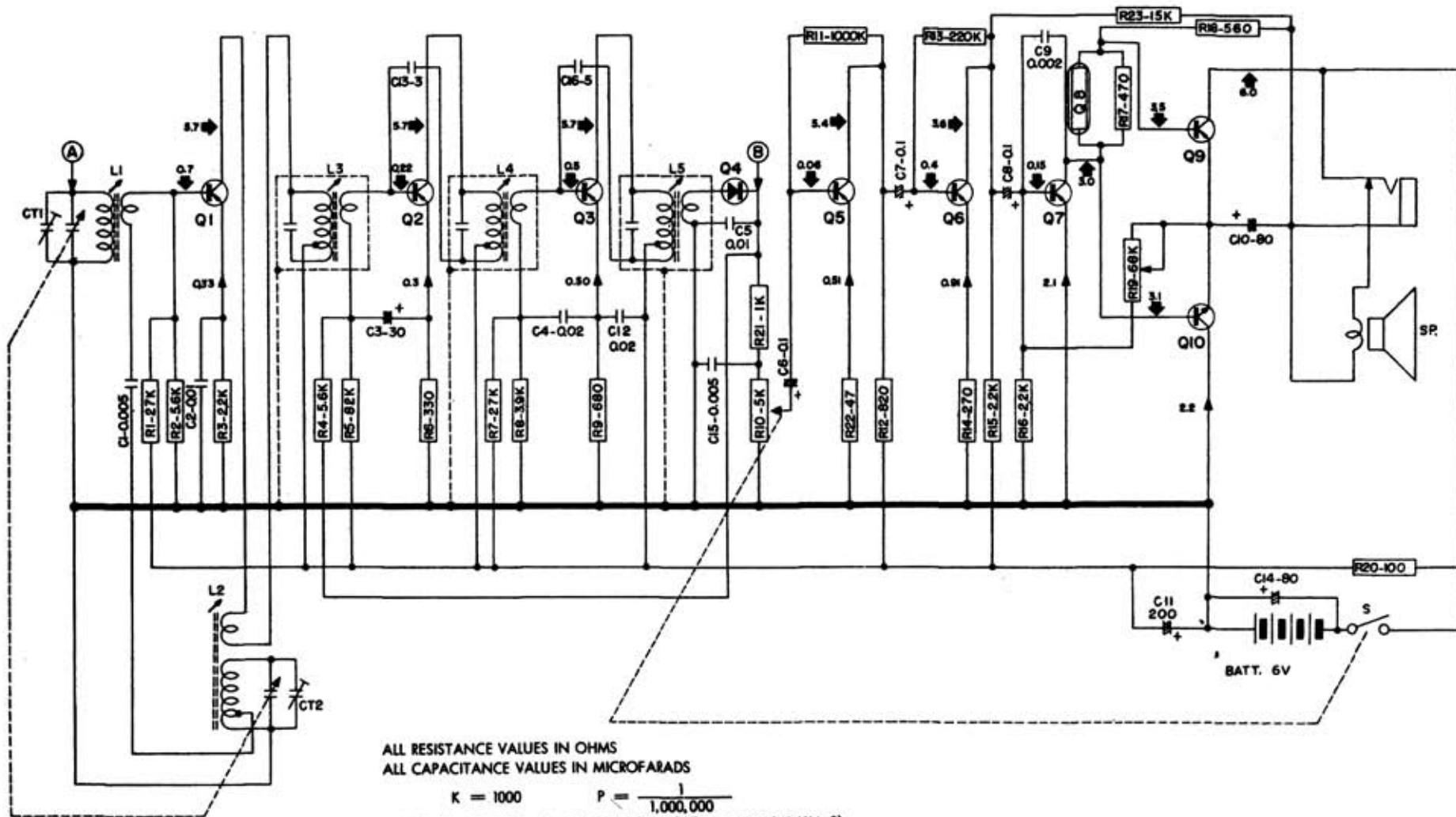
Q6 2SB175
AF-2ND

Q7 2SB33
AF-3RD

Q8 TD-82
TEMP. COMP.

Q9 2SB33
OUTPUT

Q10 2SD33
OUTPUT



ALL RESISTANCE VALUES IN OHMS
ALL CAPACITANCE VALUES IN MICROFARADS

$$K = 1000 \quad P = \frac{1}{1,000,000}$$

- NOTE (1) BATTERY: 4 x SIZE "AA" 1.5 VOLT BATTERY (JIS UM-3)
(2) VOLTAGE MEASURED FROM "COMMON POSITIVE" WIRING AT NO SIGNAL
↓ VOLTAGE (VOLTS) ↑ : CURRENT (MILLIAMPERES)