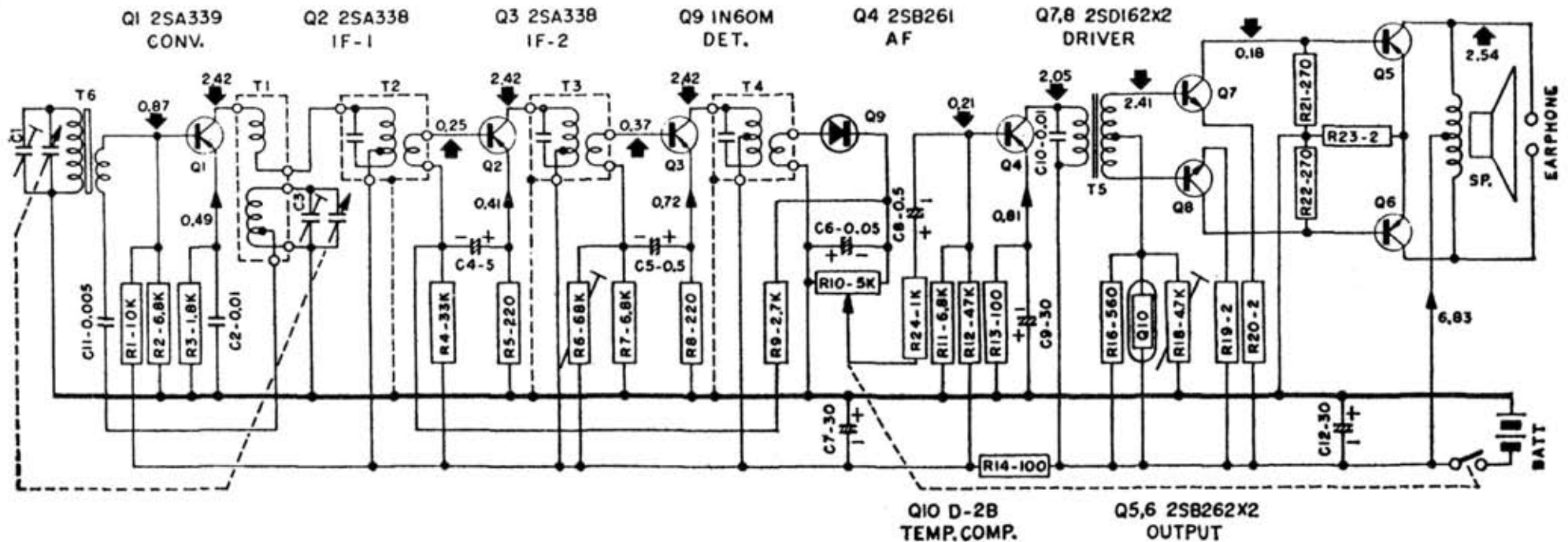


# STANDARD SR-H436

## SCHEMATIC DIAGRAM



FOR VOLTAGE READINGS ↑ VOLTS, FOR CURRENT READINGS ↓ MILLIAMPERES

**Measuring Voltage and Current** Measure the voltage and current when there are no signals. An error of about 20 percent is normal when compared with the standard voltage and current markings on schematic. In a transistorized circuit a tester of high sensitivity should be used for measuring voltage and current.

Note: Technical specifications are subject to change without notice.



STANDARD SERVICE DATA