

# STANDARD MODEL SR-H501

Q1 2SA103  
CONV.

Q2 OA70  
AGC.COMP.

Q3 2SA102  
IFA-1

Q4 2SA101  
IFA-2

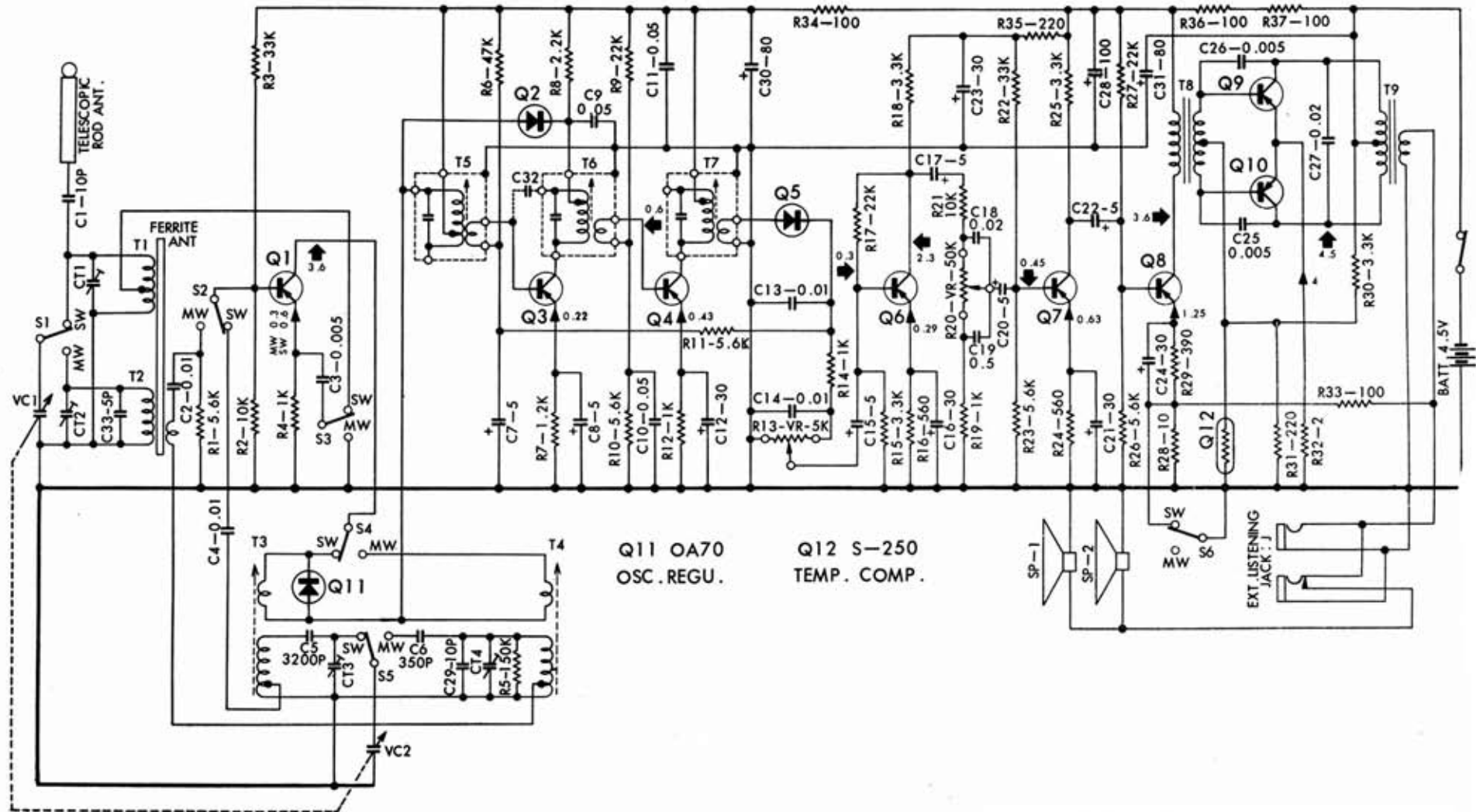
Q5 OA70  
DET.

Q6 2SB175  
AFA-1

Q7 2SB175  
AFA-2

Q8 2SB175  
AFA-3

Q9,10 2SB178×2  
OUTPUT.



STANDARD SERVICE DATA