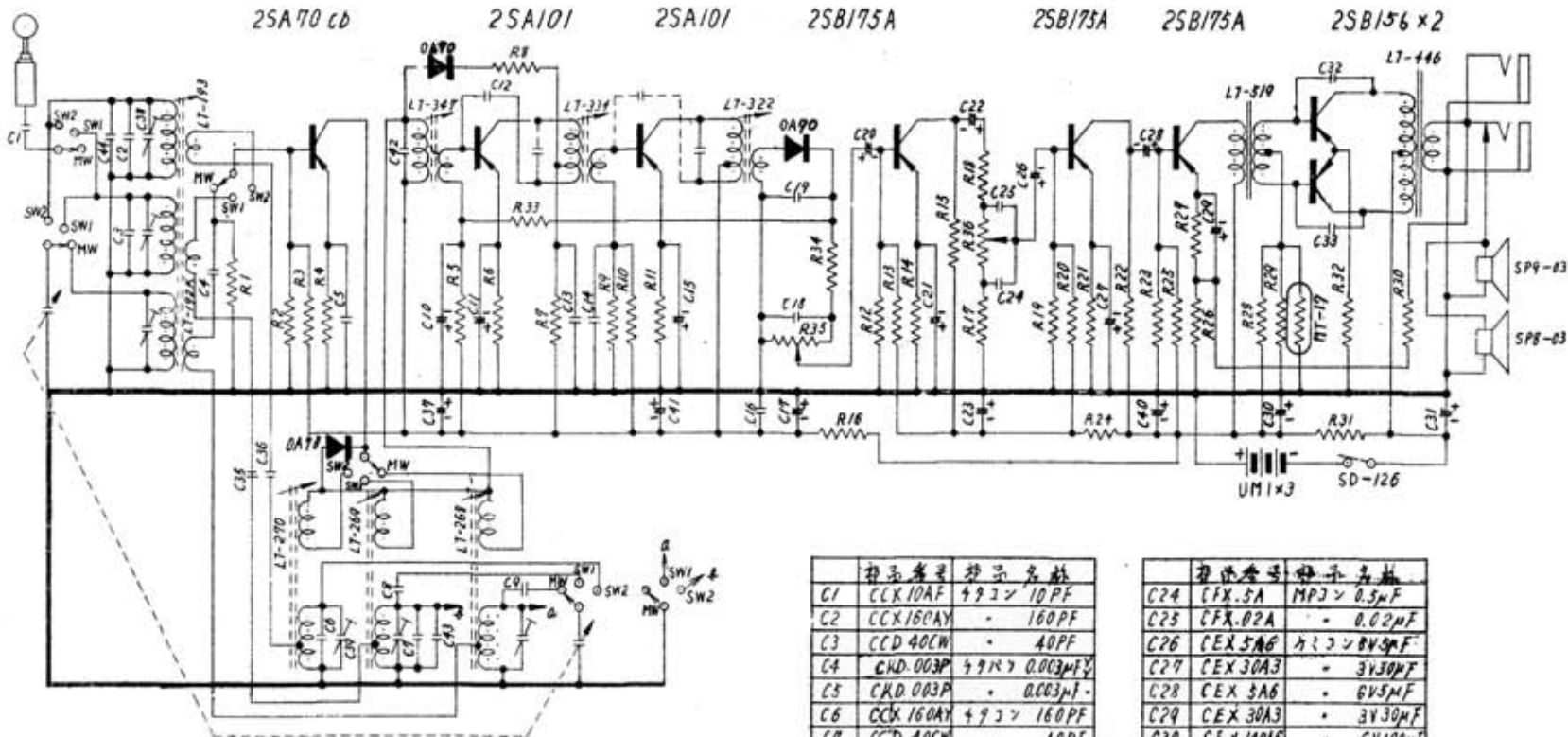


STANDARD MODEL SR-H505



部品番号	部品名称
R1	RC-3Y15K 固定抵抗 15KΩ
R2	" 10K " 10K
R3	" 33K " 33K
R4	" 1K " 1K
R5	" 47K " 47K
R6	" 1K " 1K
R7	" 22K " 22K
R8	" 1.5K " 1.5K
R9	" 5.6K " 5.6K
R10	" 22K " 22K
R11	" 820 " 820
R12	" 33K " 33K
R13	" 22K " 22K
R14	" 1K " 1K
R15	" 3.3K " 3.3K
R16	" 100 " 100
R17	" 1K " 1K
R18	" 10K " 10K
R19	" 5.6K " 5.6K
R20	" 33K " 33K

部品番号	部品名称
R21	RC-5Y1K 固定抵抗 1KΩ
R22	" 3.3K " 3.3K
R23	" 5.6K " 5.6K
R24	" 220 " 220
R25	" 22K " 22K
R26	" 10 " 10
R27	" 390 " 390
R28	" 1.5K " 1.5K
R29	" 100 " 100
R30	" 100 " 100
R31	" " " "
R32	RD-232B 线圈巻数 2
R33	RC-5Y5.6K 固定抵抗 5.6K
R34	" 1K " 1K
R35	RD-139 可変抵抗 5KΩ
R36	" " " 5KΩ

部品番号	部品名称
C1	CCX10AF 4970 10PF
C2	CCX160AY " 160PF
C3	CCD40CW " 40PF
C4	CND.003P 4970 0.003μF
C5	CKD.003P " 0.003μF
C6	CCX160AY 4970 160PF
C7	CCD40CW " 40PF
C8	CFX.003CW 24コン 5000PF
C9	CFX330AW " 330PF
C10	CES10A6 4970 6V10PF
C11	" " " "
C12	CCD3AF 4970 3PF
C13	CFS.05AZ 4970 0.05μF
C14	" " " "
C15	CEX30A3 4970 3V30PF
C16	CFS.05AZ 4970 0.05μF
C17	CEX100A6 4970 6V100PF
C18	CKD.01A 4970 0.01μF
C19	" " " "
C20	CEX5A6 4970 6V5PF
C21	CEX30A3 " 3V30PF
C22	CEX5A6 " 6V5PF
C23	CEX30A6 " 6V30PF

部品番号	部品名称
C24	CFX.5A MPD 0.5μF
C25	CFX.02A " 0.02μF
C26	CEX5A6 4970 6V5PF
C27	CEX30A3 " 3V30PF
C28	CEX5A6 " 6V5PF
C29	CEX30A3 " 3V30PF
C30	CEX100A6 " 6V100PF
C31	CES80B6 " 6V80PF
C32	CND.005A 4970 0.005μF
C33	" " " "
C34	" " " 0.02μF
C35	CKD.003P 4970 0.003μF
C36	CKD.005D 4970 0.005μF
C37	CEX5A6 4970 6V5PF
C38	CD-156 シンチトロン
C39	" " " "
C40	CEX200A6 4970 200PF
C41	" " " "
C42	CCD500BY 4970 500PF
C43	CCD5AF " 5PF
C44	CCD15AY " 15PF



STANDARD SERVICE DATA