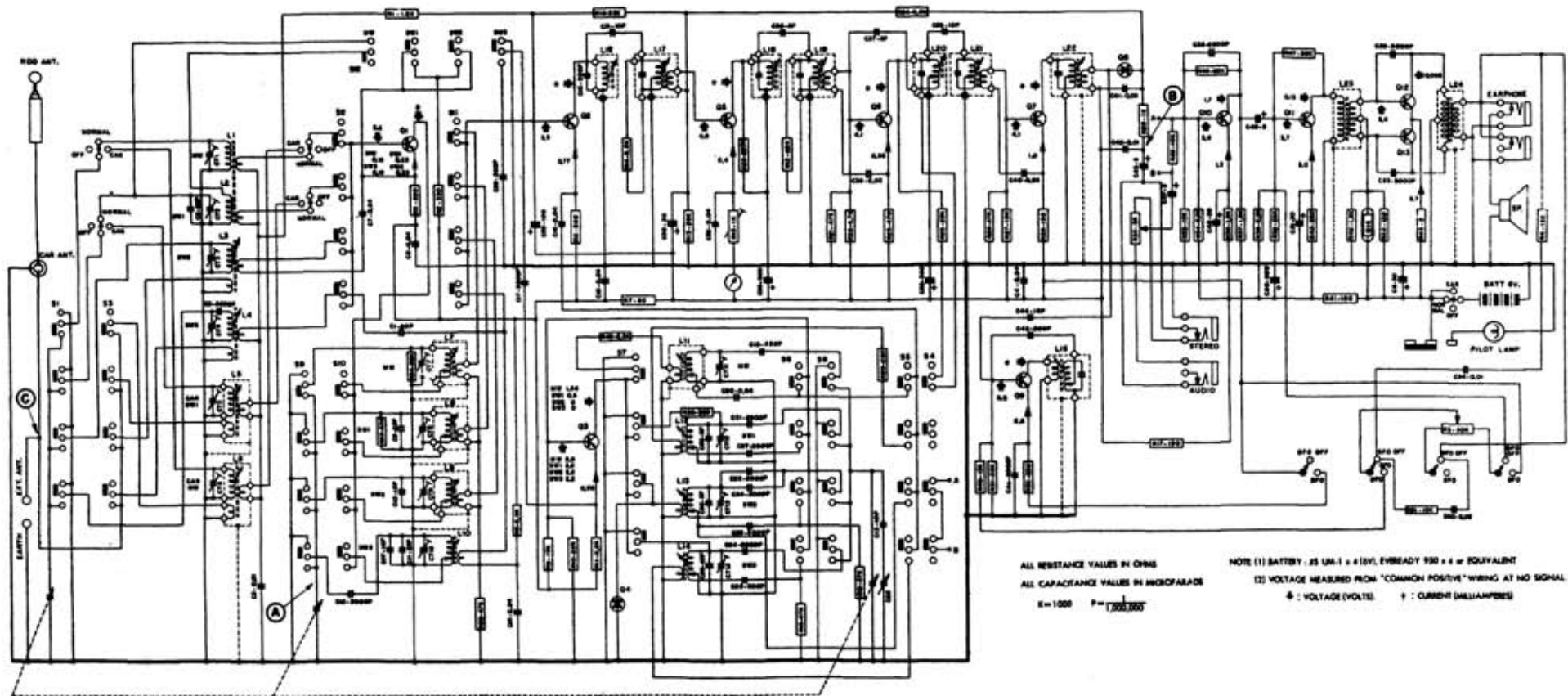


# STANDARD SR-K510

Q1 2SA71 RF    Q2 2SA70 MIX.    Q3 2SA234 OSC.    Q4 1N34A OSC. COMP.    Q5 2SA101 IF-1    Q6 2SA101 IF-2    Q7 2SA101 IF-3    Q8 1N34A DET.    Q9 25B75 AF-1    Q10 25B75 AF-2    Q12,13 25B156+E OUTPUT    Q14 6-1A TEMP. COMP.



ALL RESISTANCE VALUES IN OHMS  
 ALL CAPACITANCE VALUES IN MICROFARADS  
 K=1000    M=1,000,000

NOTE (1) BATTERY: 25 6A-1 x 4 (10V), EVEREADY 930 x 4 = EQUIVALENT  
 (2) VOLTAGE MEASURED FROM "COMMON POSITIVE" WIRING AT NO SIGNAL  
 \* : VOLTAGE (VOLTS)    † : CURRENT (MILLIAMPERES)