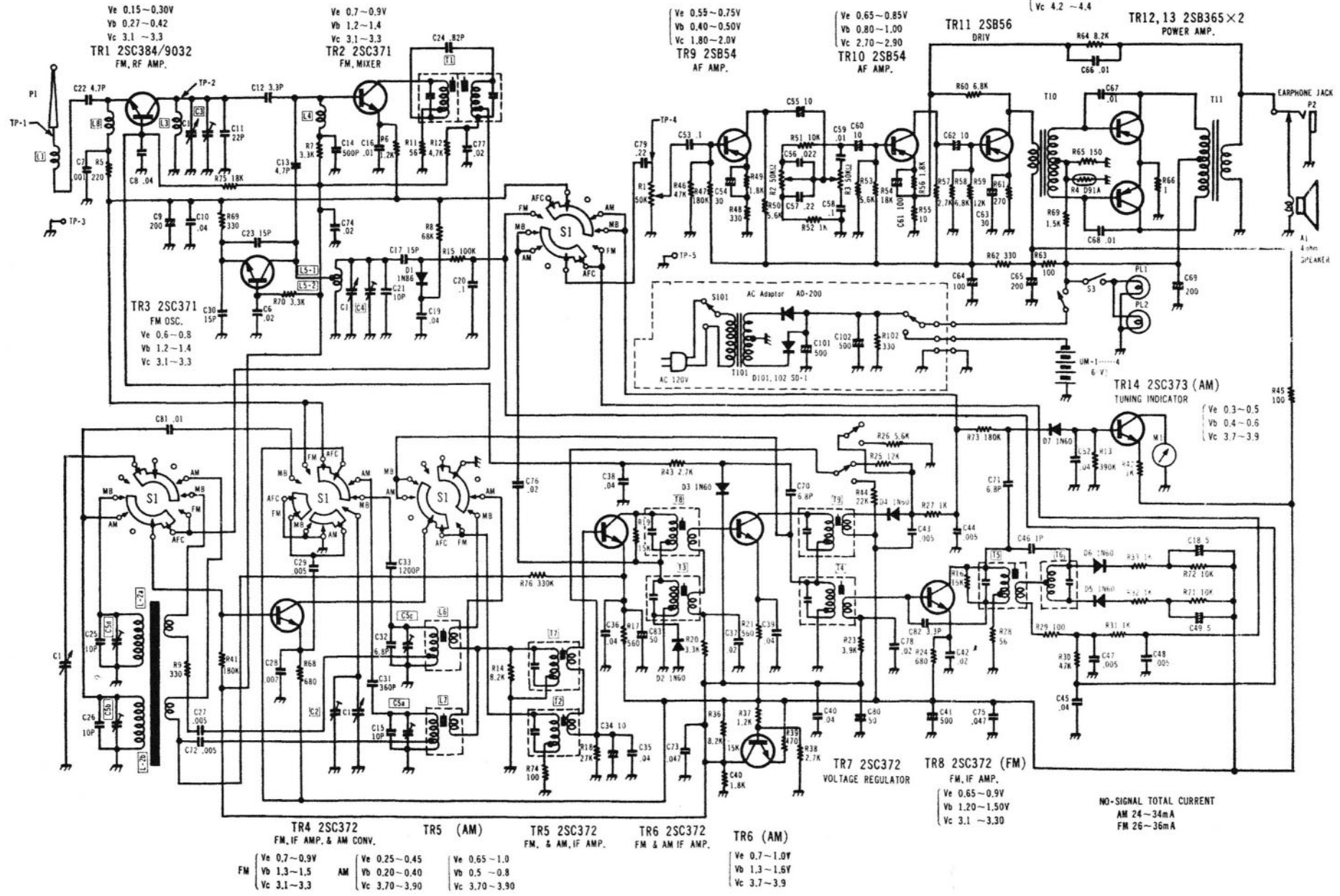


Toshiba

14L-828F

Ve 0.95-1.15V
Vb 1.00-1.20V
Vc 4.2-4.4V



Ve 0.15-0.30V
Vb 0.27-0.42V
Vc 3.1-3.3V
TR1 2SC384/9032
FM, RF AMP.

Ve 0.7-0.9V
Vb 1.2-1.4V
Vc 3.1-3.3V
TR2 2SC371
FM, MIXER

Ve 0.55-0.75V
Vb 0.40-0.50V
Vc 1.80-2.0V
TR9 2SB54
AF AMP.

Ve 0.65-0.85V
Vb 0.80-1.00V
Vc 2.70-2.90V
TR10 2SB54
AF AMP.

TR11 2SB56
DRIV.

TR12, 13 2SB365x2
POWER AMP.

TR3 2SC371
FM OSC.
Ve 0.6-0.8V
Vb 1.2-1.4V
Vc 3.1-3.3V

TR14 2SC373 (AM)
TUNING INDICATOR
Ve 0.3-0.5V
Vb 0.4-0.6V
Vc 3.7-3.9V

TR4 2SC372
FM, IF AMP. & AM CONV.
Ve 0.7-0.9V
Vb 1.3-1.5V
Vc 3.1-3.3V

TR5 (AM)
Ve 0.25-0.45V
Vb 0.20-0.40V
Vc 3.70-3.90V

TR5 2SC372
FM, & AM, IF AMP.
Ve 0.65-1.0V
Vb 0.5-0.8V
Vc 3.70-3.90V

TR6 2SC372
FM & AM IF AMP.
Ve 0.7-1.0V
Vb 1.3-1.5V
Vc 3.7-3.9V

TR6 (AM)
Ve 0.7-1.0V
Vb 1.3-1.5V
Vc 3.7-3.9V

TR7 2SC372
VOLTAGE REGULATOR

TR8 2SC372 (FM)
FM, IF AMP.
Ve 0.65-0.9V
Vb 1.20-1.50V
Vc 3.1-3.30V

NO-SIGNAL TOTAL CURRENT
AM 24-34mA
FM 26-36mA