

Toshiba

9L-790R

Ve -0.6~-1.2V
Vb -0.6~-1.2V
Vc -7.3~-7.8V
TR1 2SA518
Mix.

Ve -0.25~-0.35V
Vb -0.27~-0.35V
Vc -7.7~-8.1V
TR2 2SA49
IF AMP.

Ve -0.8~-1.3V
Vb -1.0~-1.5V
Vc -7.6~-8.0V
TR3 2SA53
IF AMP.

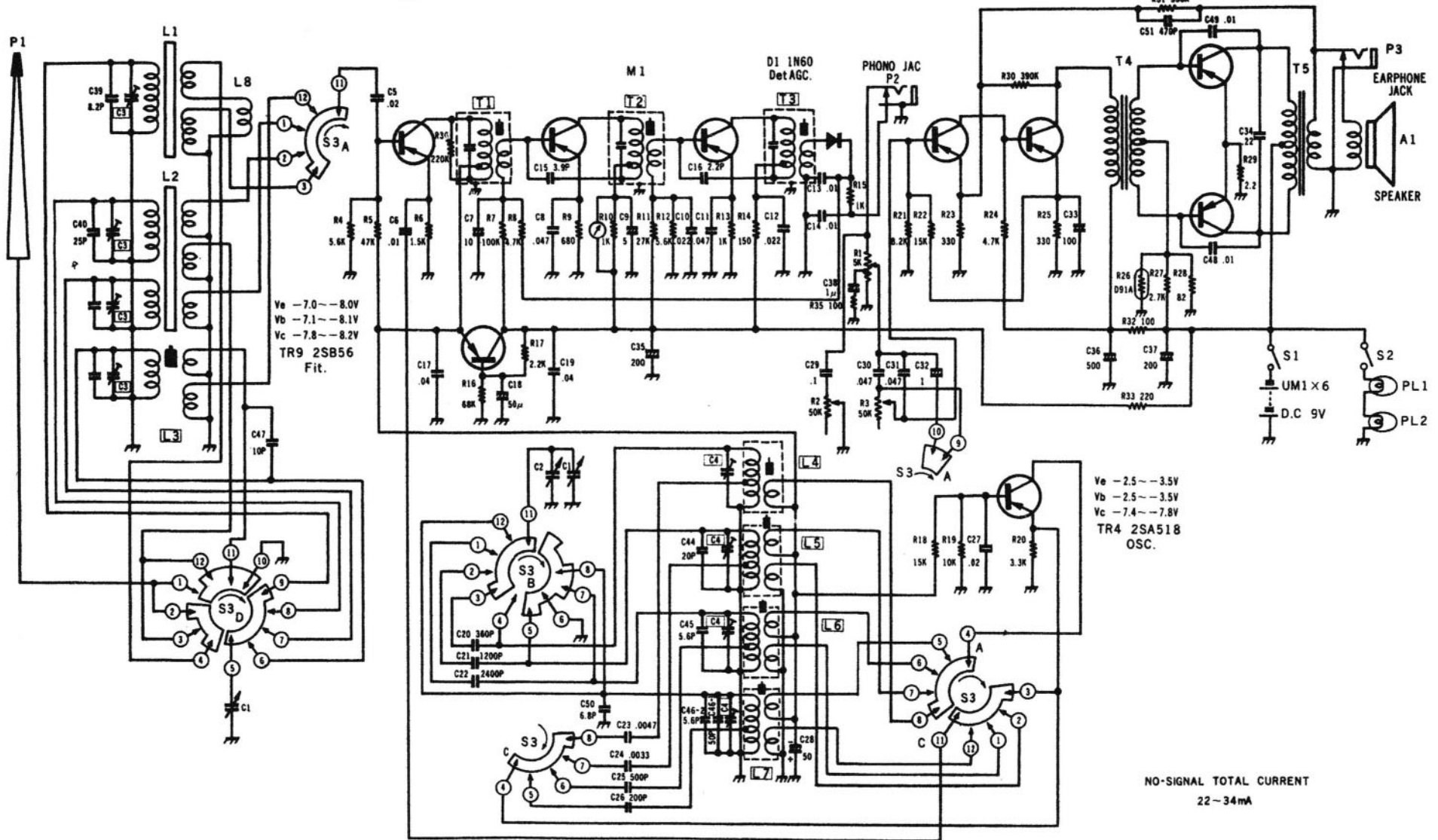
Ve -0.35~-0.45V
Vb -0.4~-0.5V
Vc -2.0~-2.5V
TR5 2SB54
AF AMP.

Ve -1.5~-2.5V
Vb -1.6~-2.7V
Vc -7.6~-8.0V
TR6 2SB56
Driv.

PR7, TR8
2SB415x2
PWR. AMP

Ve -7.0~-8.0V
Vb -7.1~-8.1V
Vc -7.8~-8.2V
TR9 2SB56
Fit.

Ve -2.5~-3.5V
Vb -2.5~-3.5V
Vc -7.4~-7.8V
TR4 2SA518
OSC.



NO-SIGNAL TOTAL CURRENT
22-34mA