

Toshiba

10M-860

Ve 0.10-0.20V
Vb 0.10-0.30V
Vc 0.7-1.2V
TR5 2SB54
1ST AF

Ve 0.70-1.00V
Vb 0.8-1.1V
Vc 3.0-3.4V
TR6 2SB54
2ND AF

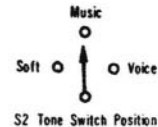
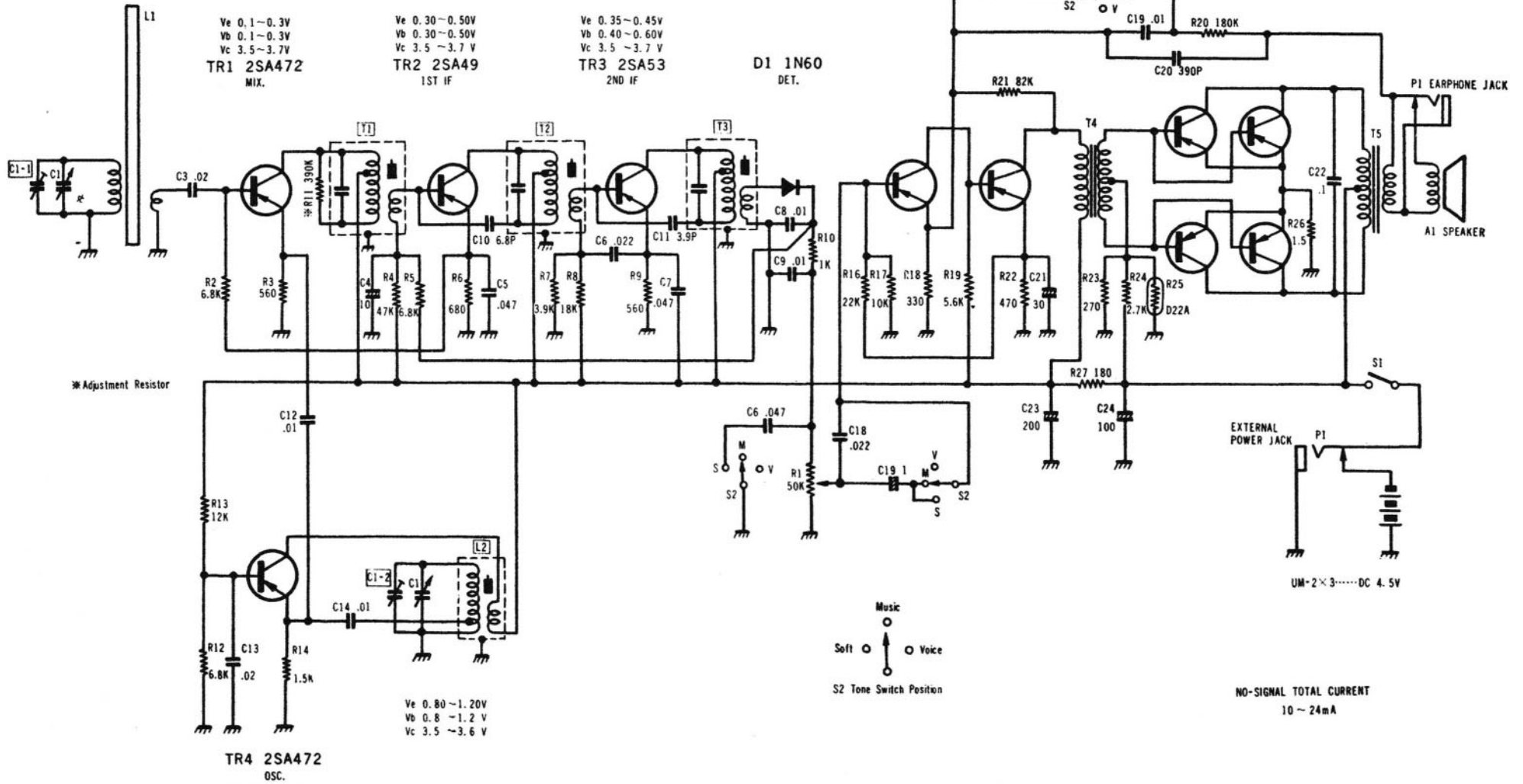
Ve 0.001-0.01V
Vb 0.1-0.2V
Vc 4.4-4.6V
TR7,8,9,10 2SB56×4
POWER

Ve 0.1-0.3V
Vb 0.1-0.3V
Vc 3.5-3.7V
TR1 2SA472
MIX.

Ve 0.30-0.50V
Vb 0.30-0.50V
Vc 3.5-3.7V
TR2 2SA49
1ST IF

Ve 0.35-0.45V
Vb 0.40-0.60V
Vc 3.5-3.7V
TR3 2SA53
2ND IF

D1 1N60
DET.



NO-SIGNAL TOTAL CURRENT
10-24mA

UM-2×3-DC 4.5V