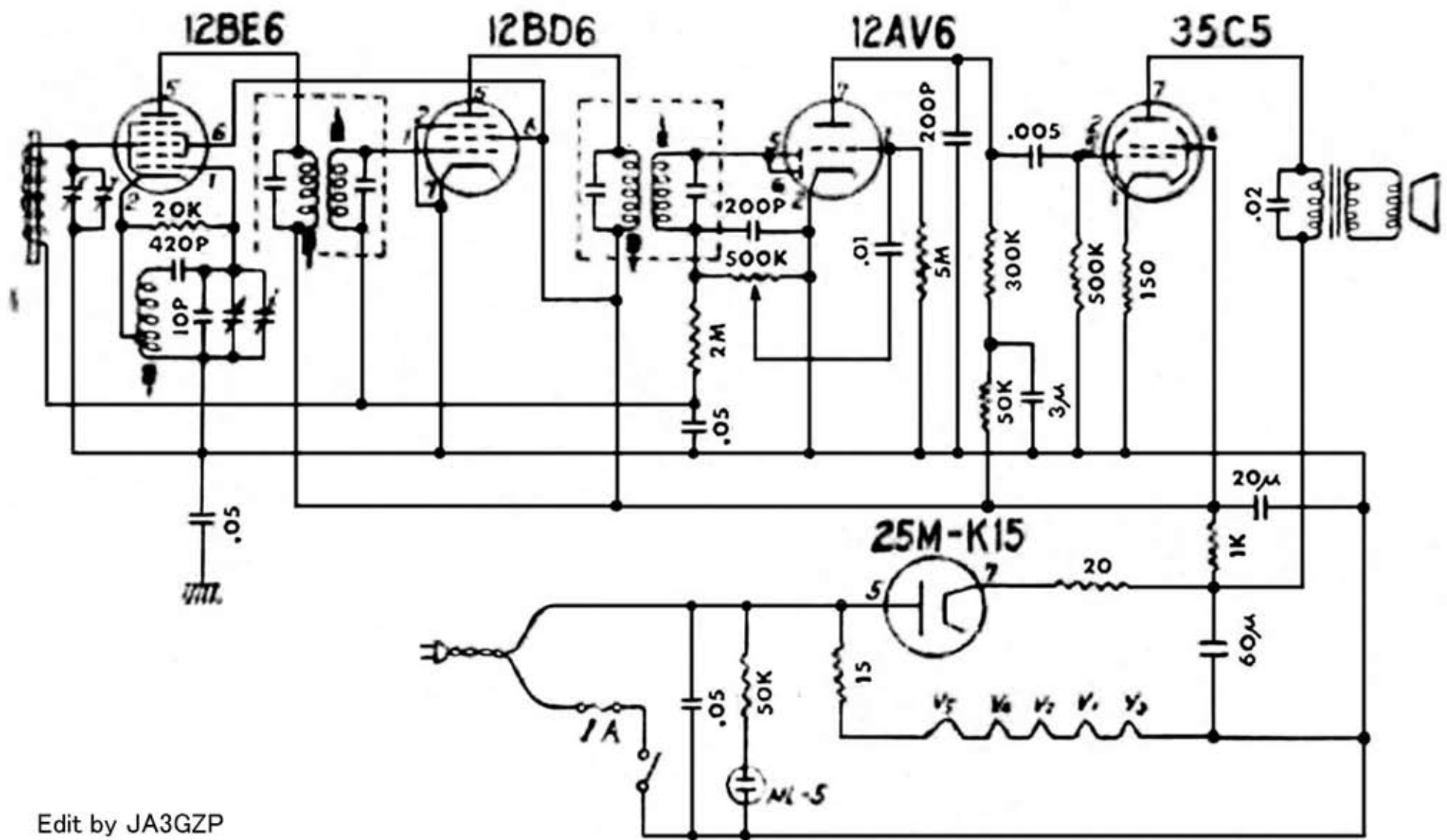


# MODEL 5LA-28



Edit by JA3GZP