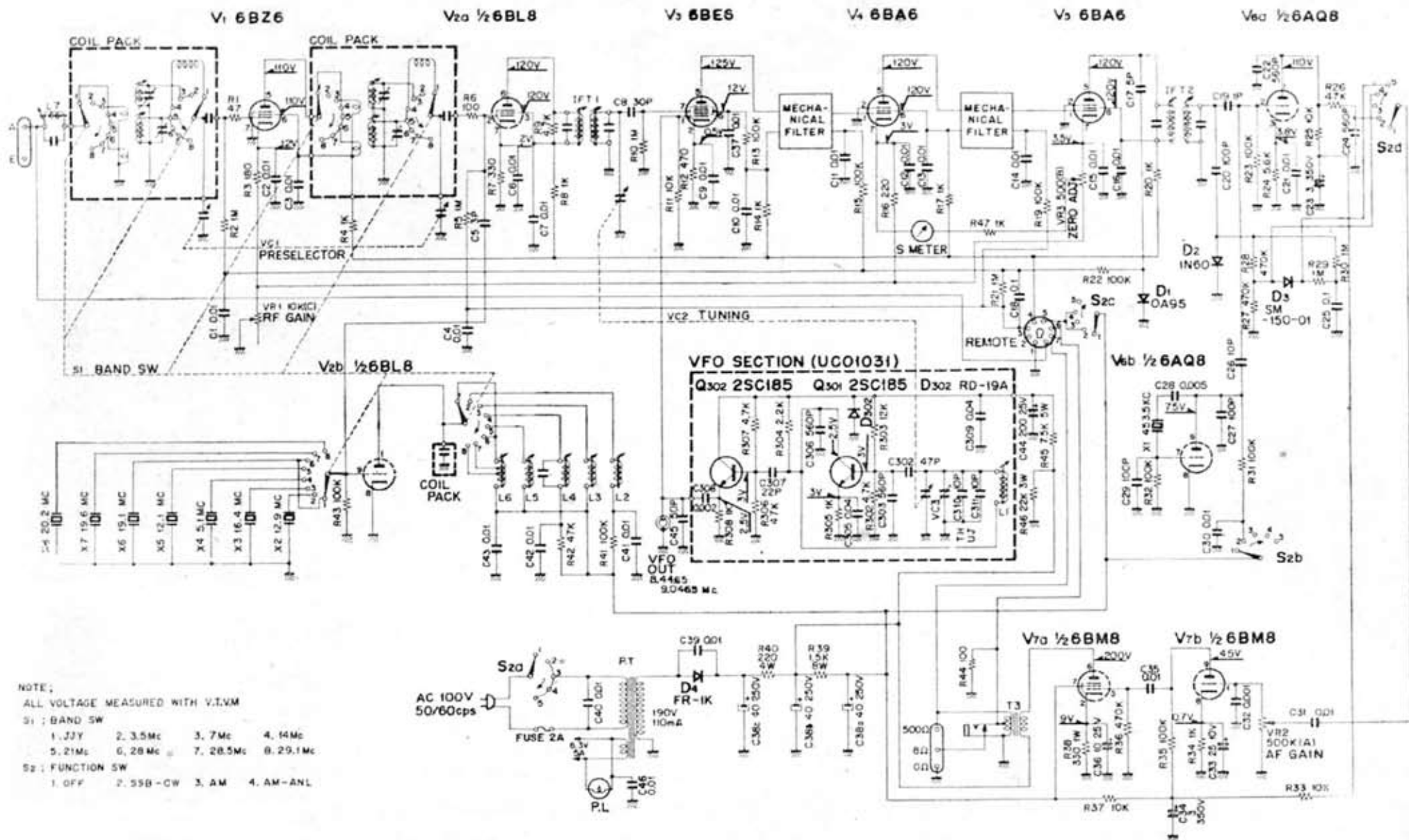


NOTE:
 ALL VOLTAGE MEASURED WITH V.T.V.M
 S1 : BAND SW
 1. WWV 2. 3.5MHz 3. 7MHz 4. 14MHz
 5. 21MHz 6. 28MHz 7. 28.5MHz 8. 29.1MHz
 S2 : FUNCTION SW
 1. OFF 2. SSB-CW 3. AM 4. AM-ANL

JR-500S型回路图



JR-500S 全回路図