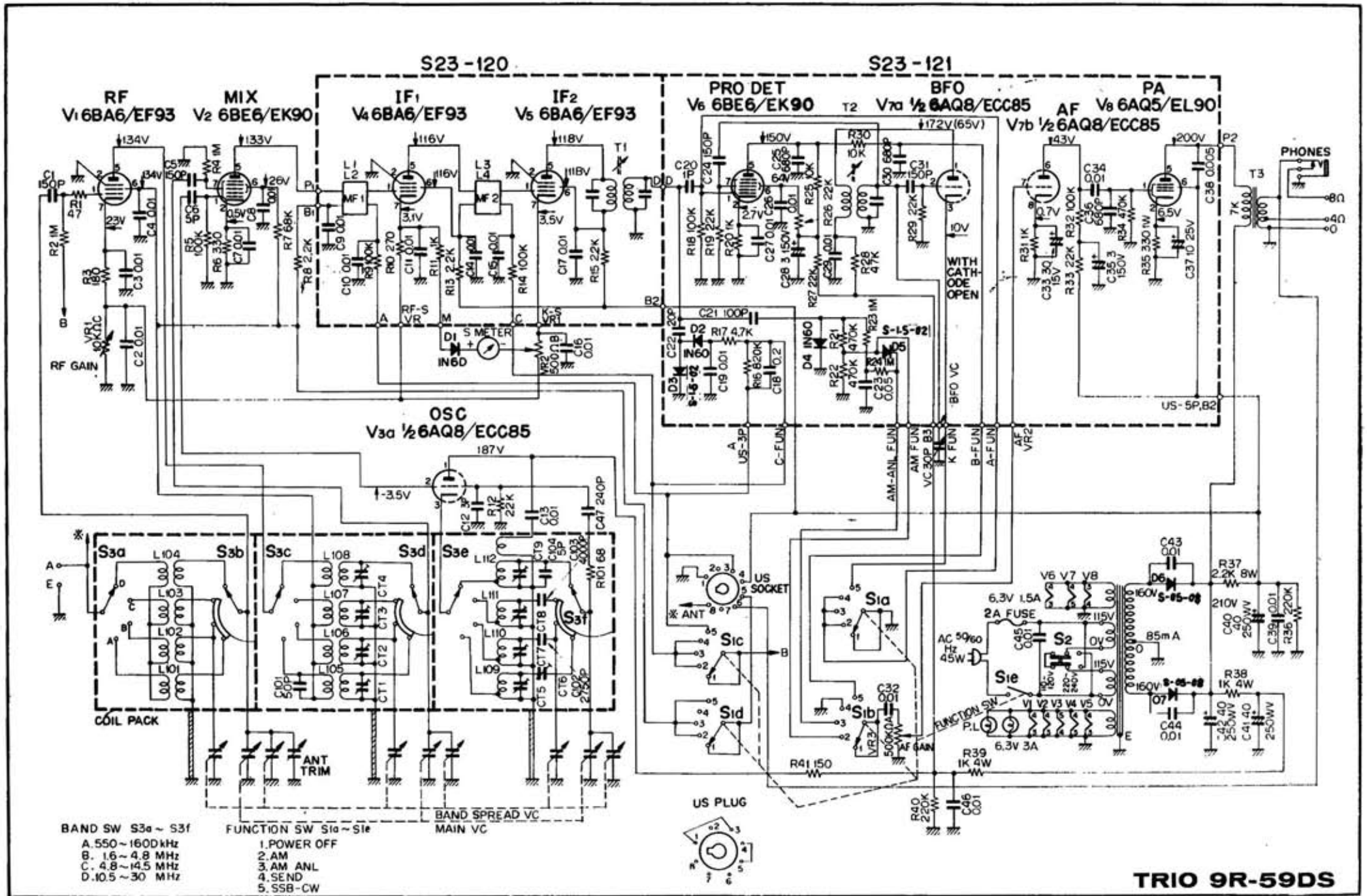


# SCHEMATIC DIAGRAM



**BAND SW S<sub>3a</sub> ~ S<sub>3f</sub>**  
 A. 550 ~ 1600 kHz  
 B. 1.6 ~ 4.8 MHz  
 C. 4.8 ~ 14.5 MHz  
 D. 10.5 ~ 30 MHz

**FUNCTION SW S<sub>1a</sub> ~ S<sub>1e</sub>**  
 1. POWER OFF  
 2. AM  
 3. AM ANL  
 4. SEND  
 5. SSB-CW