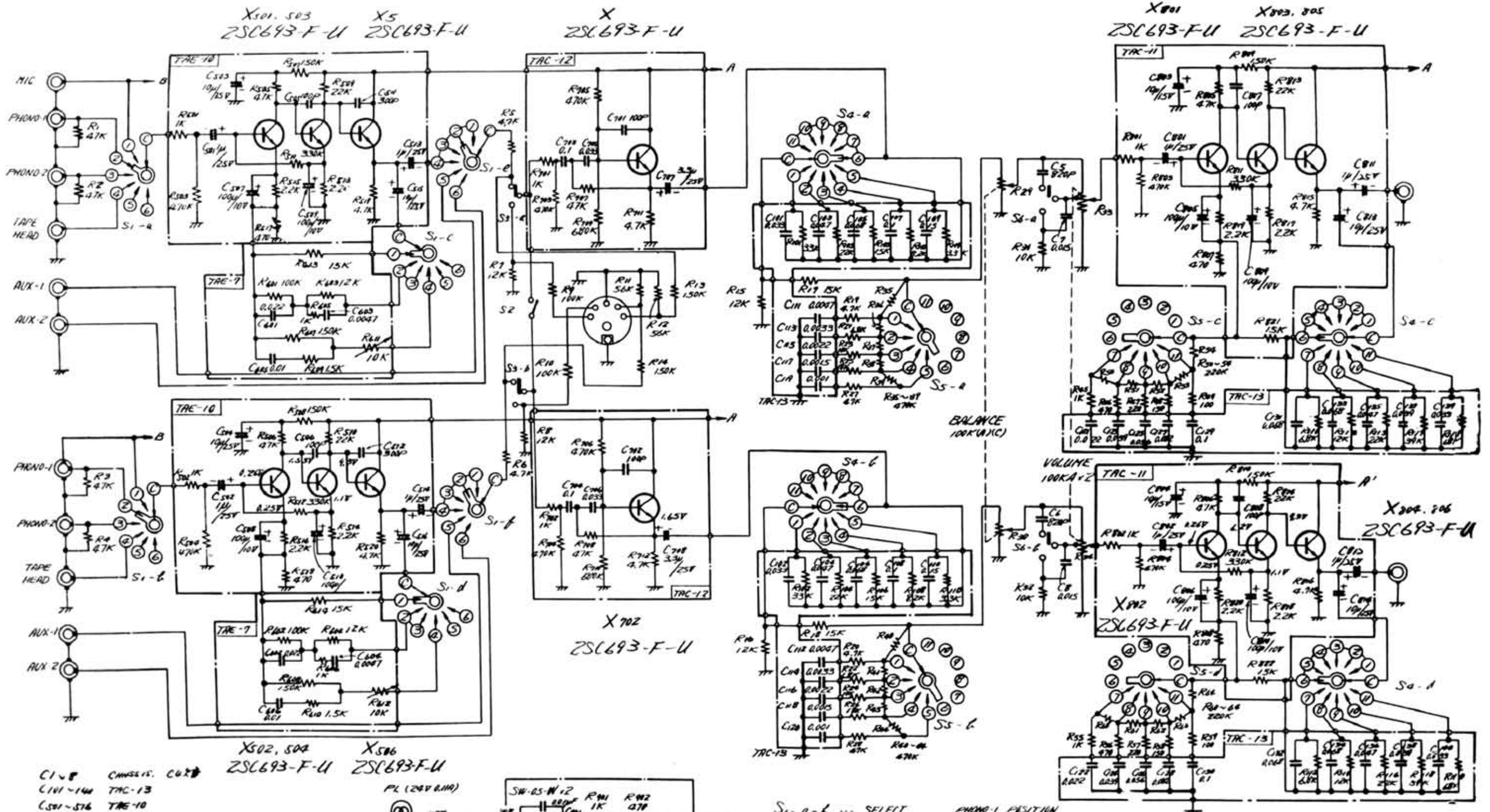


日本ビクター MCP-200



- S1-a-f ... SELECT PHONO-1 POSITION
 S2- ... MODE STEREO
 S3-a-b ... TONE MONITOR NORMAL
 S4-a-d ... BASS CONTROL FLAT
 S5-a-d ... TREBLE CONTROL
 S6-a-b ... LOUDNESS CONTROL ON
 S7 ... POWER SWITCH OFF

- X501.503 X5 X ZSC693-F-U ZSC693-F-U
 X702 ZSC693-F-U
 X502.504 X506 ZSC693-F-U ZSC693-F-U
 X901 X903.805 ZSC693-F-U ZSC693-F-U
 X902.806 ZSC693-F-U
- C1-8 CHASSIS. C62 PL (24V 0.1M)
 C101-104 TAC-13
 C101-106 TAC-10
 C101-108 TAC-7
 C101-110 TAC-12
 C101-112 TAC-11
 C101-114 TAP-6
 R1-10 CHASSIS
 R101-130 TAC-13
 R101-132 TAC-10
 R101-134 TAC-7
 R101-136 TAC-12
 R101-138 TAC-11
 R101-140 TAP-6