

NIVICO 10A-337K

X2 2SA350

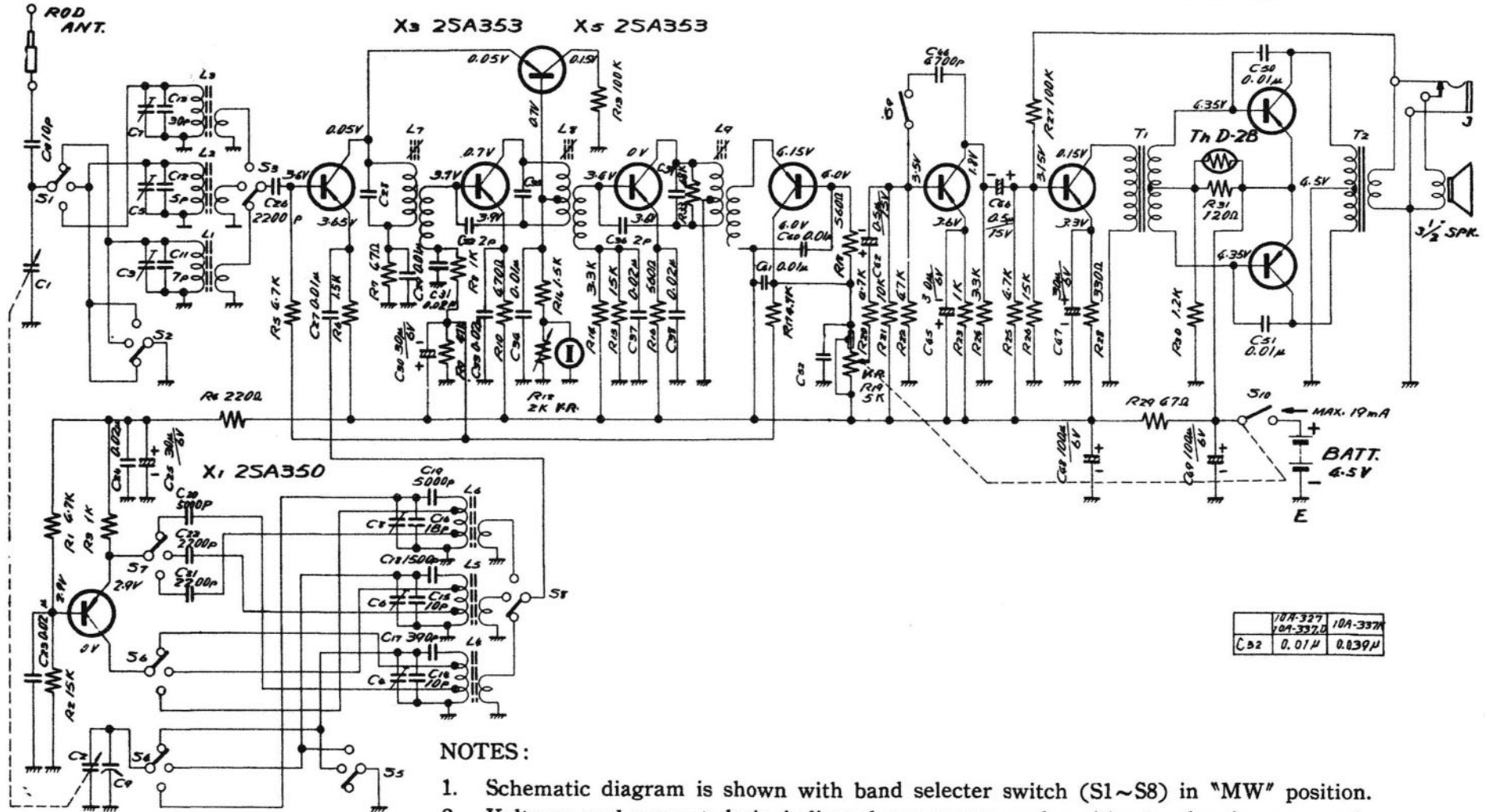
X4 2SA353

X6 2SA353 X7 2SB75

X8 2SB75

X9,10 2SB156

X3 2SA353 X5 2SA353



NOTES:

1. Schematic diagram is shown with band selector switch (S1~S8) in "MW" position.
2. Voltages and current drain indicated are approx and positive to chassis, measured with "VTVM" under no signal conditions on MW band with volume control set to zero.
3. Symbol Ⓢ is tuning indicator.
4. R12 is adjustable resistor for indicator.

	10A-337	10A-337A
C52	0.01μ	0.039μ