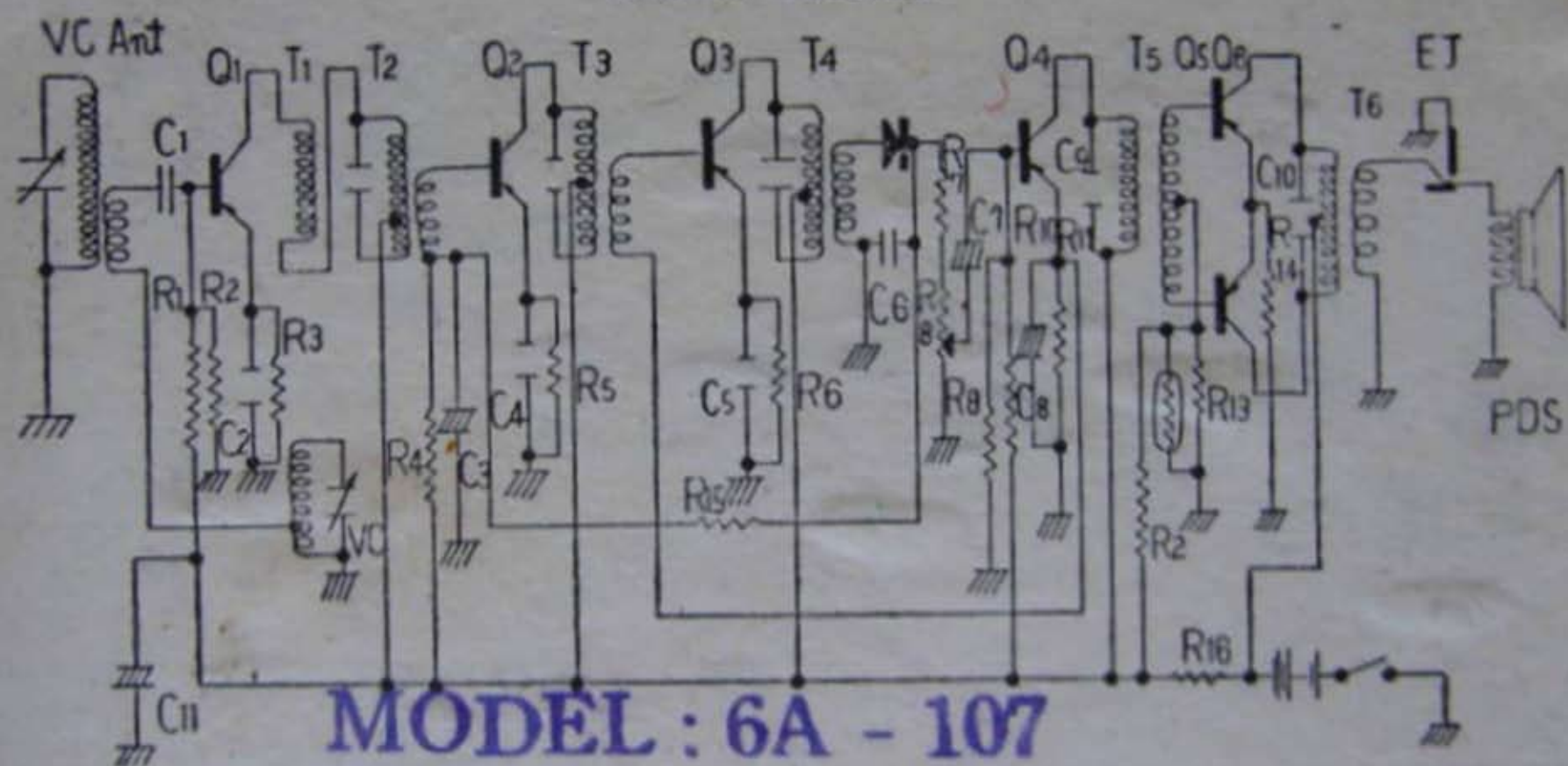


CIRCUIT DIAGRAM



MODEL : 6A - 107

PRINTED IN JAPAN