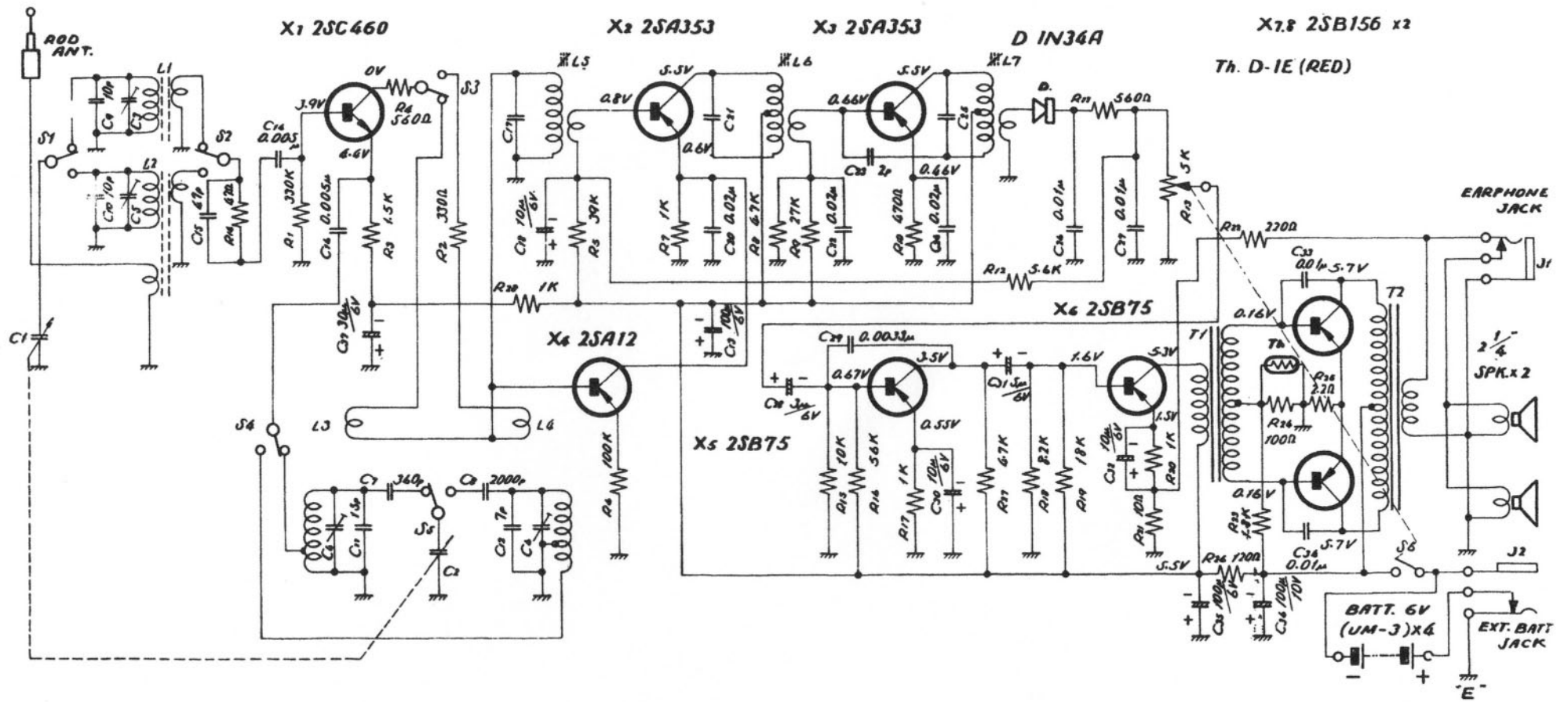


NIVICO

8A-251



Note:

1. Schematic Diagram is shown with band select (S1~S5) in MW position.
2. Voltages are measured with no signal using V.T.V.M from "E" potential. Values at MW.
3. Last No. L7, S6, T2, C37, R28
4. Blank No. C19