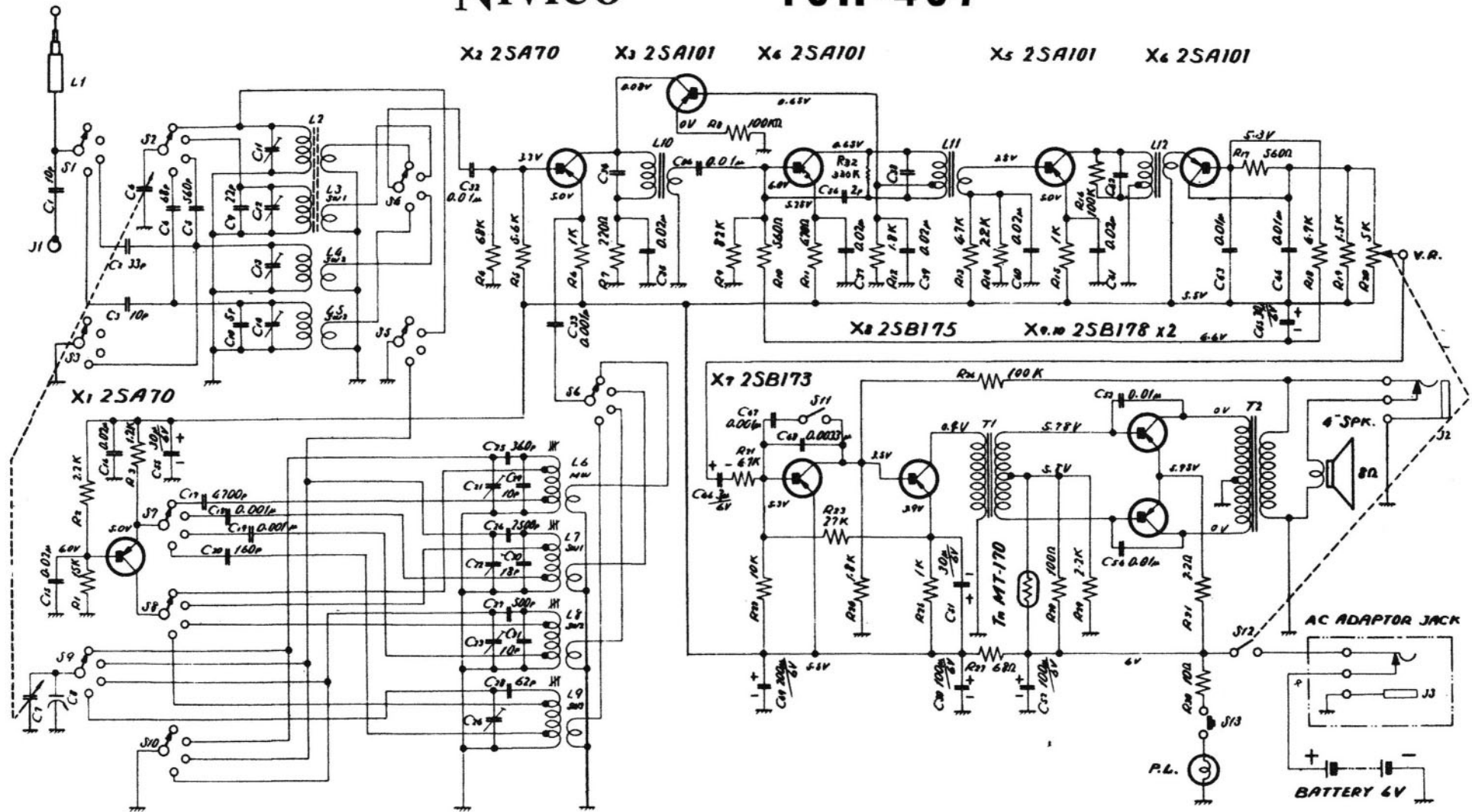


# NIVICO 10H-407



- NOTE
1. C6~7, 11~14 is ganged variable capacitor.
  2. Schematic diagram is shown with band select switch (S1~10) in MW position.
  3. Voltages are measured with no signal.
  4. Last No. C : 56, R : 32, L : 12, S : 13