

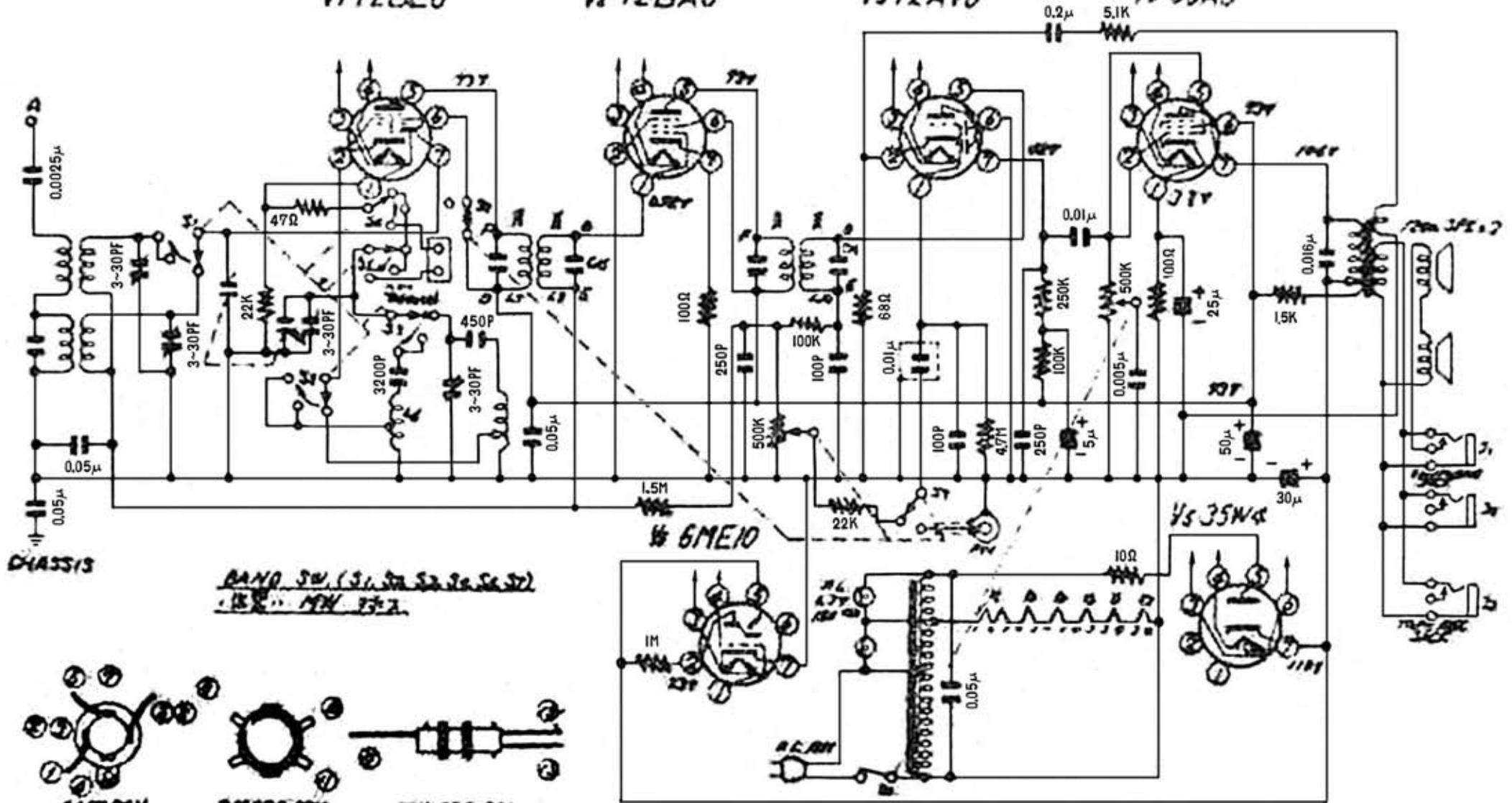
VICTOR RADIO MODEL 6A-25

V₁ 12BE6

V₂ 12BA6

V₃ 12AV6

V₄ 30A5



DIAGRAM

RADIO SW. (S1, S2, S3, S4, S5, S6, S7)
 12BE6 12BA6 12AV6 30A5



TERMINAL IDENTIFICATION

Edit by JA3GZP